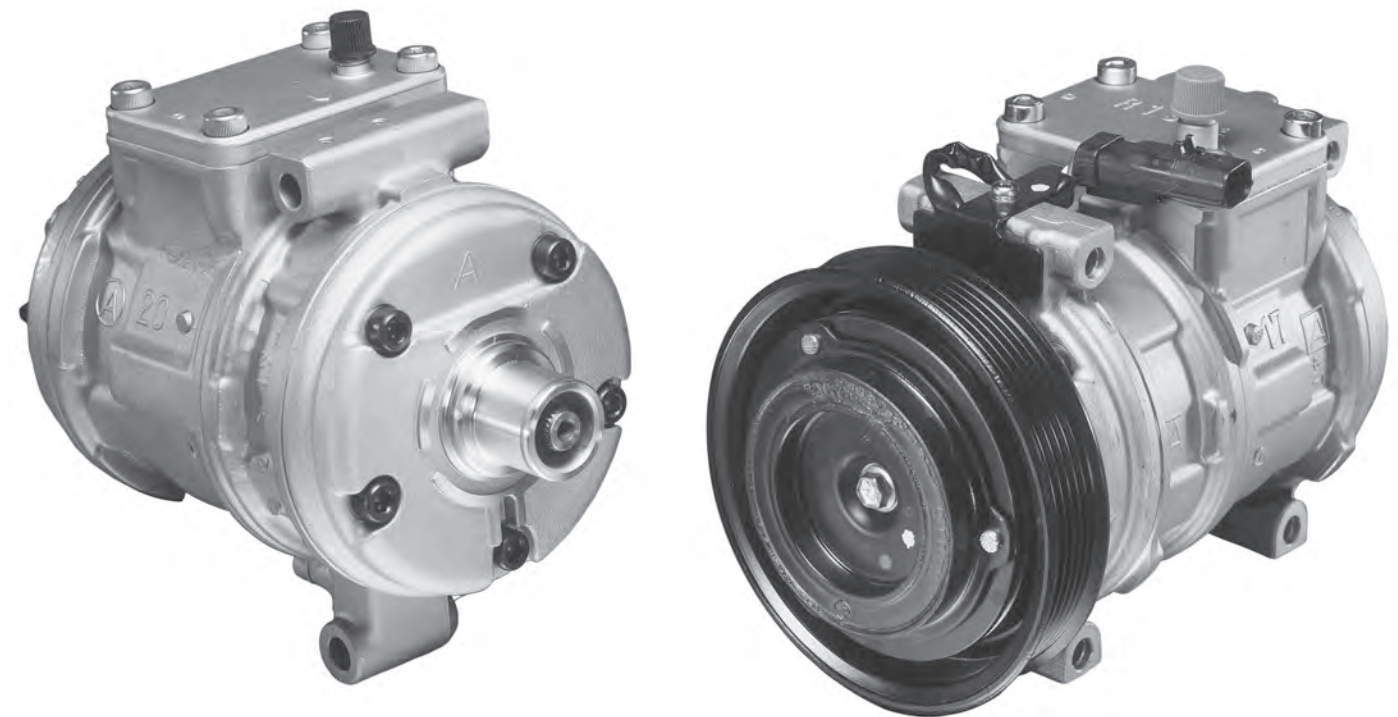


# 2012

# 2012

## HEATING, VENTILATION AND AIR CONDITIONING SYSTEM SERVICE PARTS CATALOG FOR RECREATIONAL VEHICLES



Member  
**RVIA**  
RECREATION VEHICLE  
INDUSTRY ASSOCIATION

DSCA PART NUMBER: LA990009-2492

***DENSO***

© 2011 DENSO SALES CALIFORNIA, INC.  
All Rights Reserved. This book may not  
be reproduced or copied, in whole or in  
part, without the written permission of the  
publisher. DENSO SALES CALIFORNIA, INC.  
reserves the right to make changes without  
prior notice.

***DENSO***

DENSO SALES CALIFORNIA, INC.  
Technical Services Department  
Long Beach, California  
Fourteenth Issue: November 2011  
Publication No.: LA990009-2492

Printed in U.S.A.

# Table of Contents

## HVAC COMPONENTS

Five Outlet Heater & Vent Control Unit - R134a / R12...	1
Four Outlet Heater & Vent Control Unit - R134a / R12..	2
Cooling Unit Assembly - R134a .....	3
Air Plenum Assembly - R134a / R12.....	4
American Eagle, Dream, Tradition HVAC (2001 and on)	5

## HOSE KITS

Ford Hose Kit - R134a (mid 2005 and on).....	6
Workhorse Hose Kit - R134a (mid 1999 and on).....	6
Spartan Hose Kit - ISC (2005 and on).....	7
Freightliner Hose Kit - ISB / ISC (2003 and on).....	7

## CHASSIS A/C COMPONENTS

Spartan (1998 thru 2000 - Cummins ISC 8.3L Engine)..	8
Freightliner (2002 - Cummins ISC 8.3L Engine).....	8

## FLEETWOOD MODEL DASH COMPONENTS

American Allegiance (2008 and on).....	9
American Dream (1994 - 2000).....	10
American Dream (2001 - 2003).....	11
American Eagle (1994 - 2000).....	12
American Eagle (2001 and on) .....	13
American Flyer (1995) .....	14
American Tradition (1996 - 2000) .....	15
American Tradition (2001 and on).....	16
Bounder (1994 and on).....	17
Coronado (1993 - 1995) .....	18
Discovery (1996 and on).....	19
Excursion (2001 and on) .....	20
Expedition (2001 and on).....	21
Fiesta (2001 and on) .....	22
Flair (1994 and on).....	23
Pace Arrow (1994 and on) .....	24
Providence (2001 and on).....	25
Revolution (2001 and on).....	26
Southwind (1994 and on) .....	27
Storm (1994 and on).....	28
Terra (2001 and on) .....	29
Vision (1996 - 2000).....	30

## TIFFIN MODEL DASH COMPONENTS

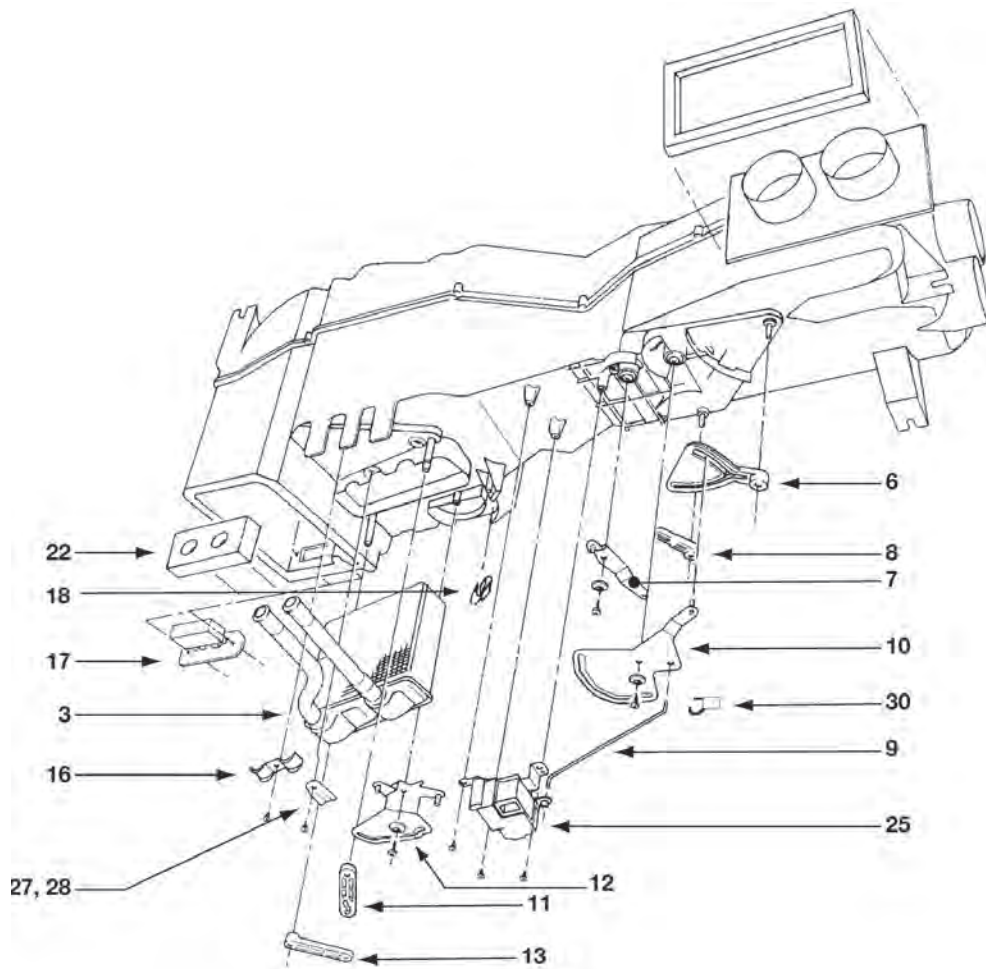
Allegro (1999 and on).....	31
Allegro Bay (1999 and on) .....	32
Allegro Bus (1999 and on).....	33
Phaeton (1999 and on) .....	34
Zephyr (2004 and on).....	35

## WIRING DIAGRAMS: Control Panels

Push Button Type .....	36
Rotary Dial Type .....	37
Rotary Dial with Supplemental Defrost .....	38
Electronic Dial Type .....	39

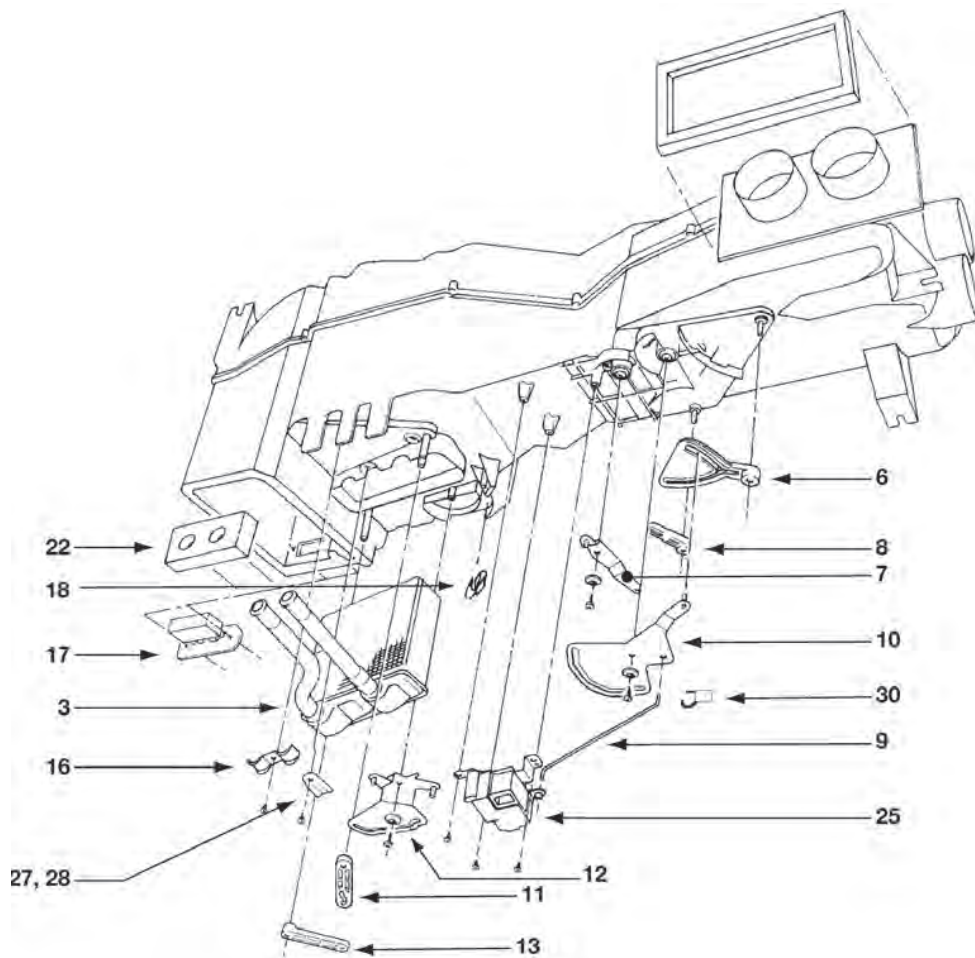


# Five Outlet Heater & Vent Control Unit - R134a / R12



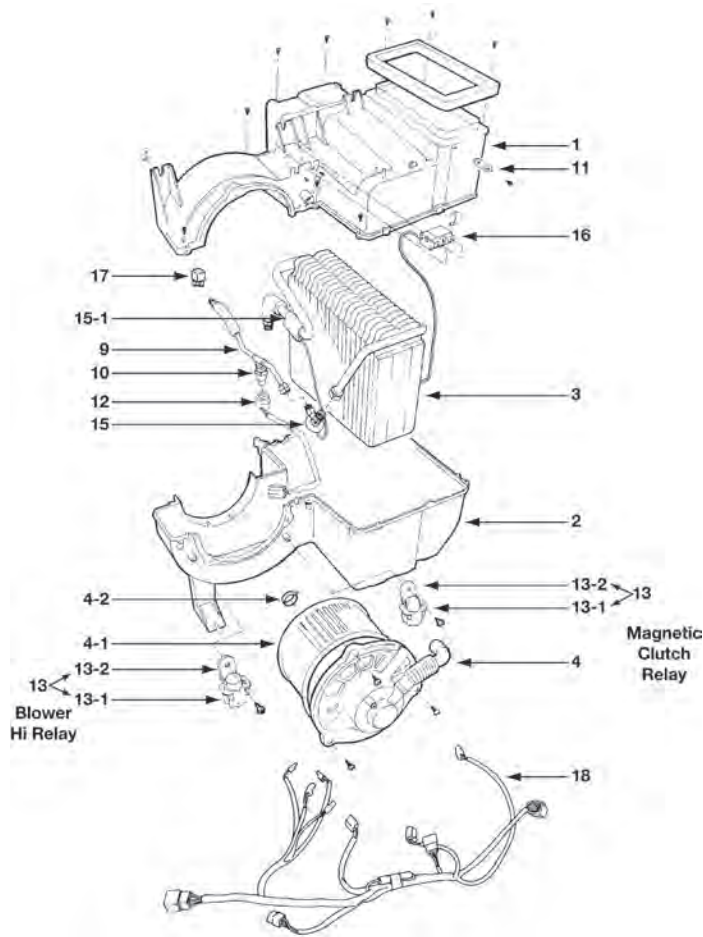
ITEM NO.	PART NO.	DESCRIPTION	QTY/ UNIT
-	AA116600-5032S	Heater Assy (5 outlet) . . . . .	1
3	AA116420-0650	Heater Core Assy. . . . .	1
6	AA116568-9060	Defrost Door Cam Plate (plastic) . .	1
7	AA116680-1380	HVAC Lever Assy (metal) . . . . .	1
8	AA116568-9080	HVAC Door Control Arm (plastic) . .	1
9	AA116662-1210	Servo Connecting Rod. . . . .	1
10	AA116680-1390	HVAC Mode Cam Assy (metal) . . .	1
11	AA116568-9110	Heater Door Control Arm (plastic). .	1
12	AA116680-1401	Heater Door Cam Assy (metal) . . .	1
13	AA116568-9121	Door Control Arm (plastic) . . . . .	1
16	AA017231-1400	Tube Clamp . . . . .	1
17	AA146810-8970	Blower Resistor . . . . .	1
18	AA017212-1590	Control Cable Clamp. . . . .	1
22	AA146648-3520	Packing . . . . .	1
25	AA063700-4782	Servomotor Assy . . . . .	1
27	AA017660-0700	Heater Core Support Bracket. . . . .	1
28	AA146521-4200	Bracket . . . . .	1
30	AA146625-5040	Nylon Clip. . . . .	1

# Four Outlet Heater & Vent Control Unit - R134a / R12



ITEM NO.	PART NO.	DESCRIPTION	QTY/ UNIT
-	AA116600-5352S	Heater Assy (4 outlet) . . . . .	1
3	AA116420-0650	Heater Core Assy. . . . .	1
6	AA116568-9060	Defrost Door Cam Plate (plastic) . .	1
7	AA116680-1380	HVAC Lever Assy (metal) . . . . .	1
8	AA116568-9080	HVAC Door Control Arm (plastic) .	1
9	AA116662-1210	Servo Connecting Rod . . . . .	1
10	AA116680-1390	HVAC Mode Cam Assy (metal) . . .	1
11	AA116568-9110	Heater Door Control Arm (plastic). .	1
12	AA116680-1401	Heater Door Cam Assy (metal) . . .	1
13	AA116568-9121	Door Control Arm (plastic) . . . . .	1
16	AA017231-1400	Tube Clamp . . . . .	1
17	AA146810-8970	Blower Resistor . . . . .	1
18	AA017212-1590	Control Cable Clamp . . . . .	1
22	AA146648-3520	Packing . . . . .	1
25	AA063700-4782	Servomotor Assy . . . . .	1
27	AA017660-0700	Heater Core Support Bracket . . . .	1
28	AA146521-4200	Bracket . . . . .	1
30	AA146625-5040	Nylon Clip. . . . .	1

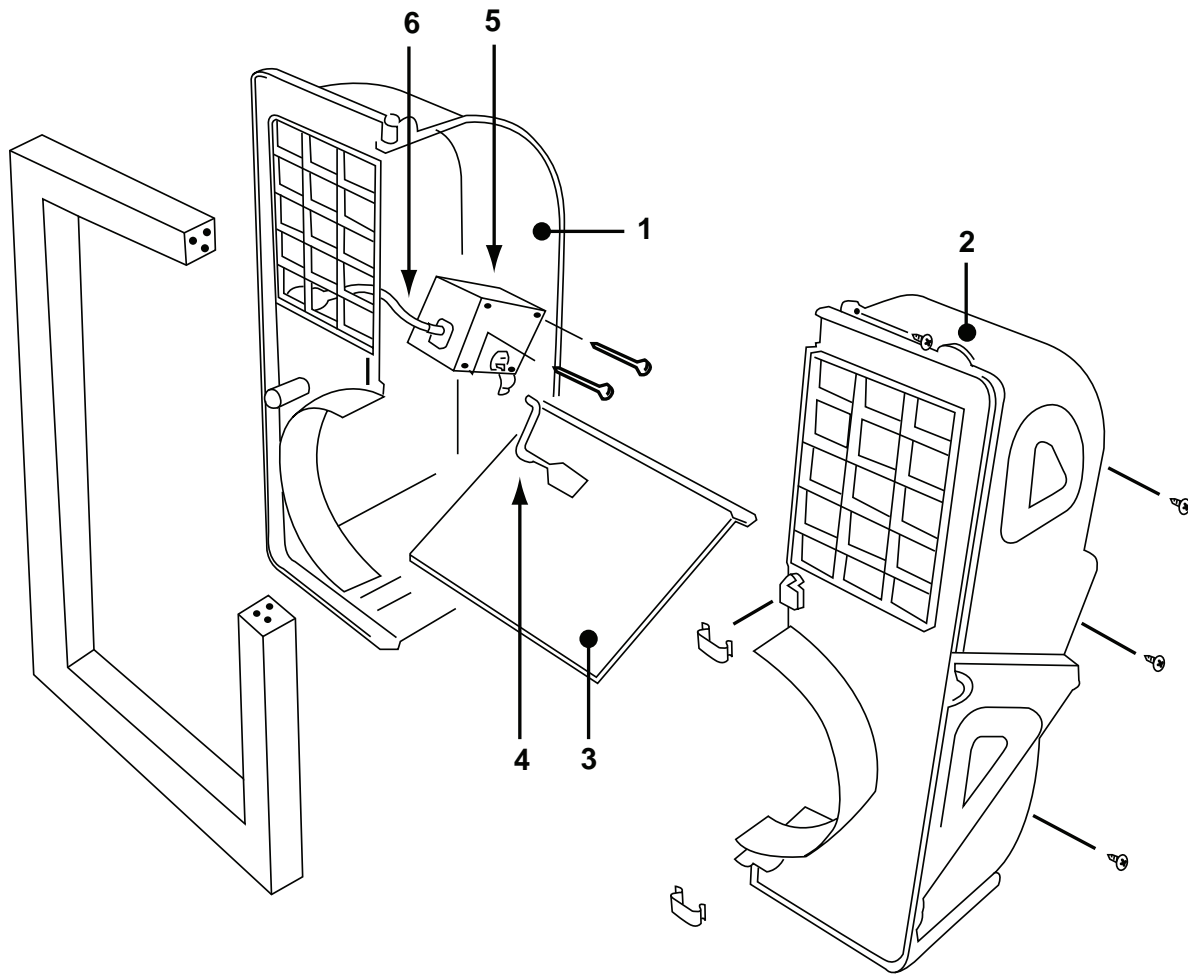
# Cooling Unit Assembly - R134a



ITEM NO.	PART NO.	DESCRIPTION	QTY/UNIT
-	AA443120-0092S	Cooling Unit Assy . . . . .	1
1	AA245420-0501	* Cooling Unit Case, Upper . . . . .	1
2	AA245420-0511	* Cooling Unit Case, Lower . . . . .	1
3	AA447600-1793	Evaporator Sub Assy . . . . .	1
4	AA116340-4010	Motor Assy w/Fan (drain tube not included) . . . . .	1
4-1	AA116221-0730	Blower Fan . . . . .	1
4-2	AA017231-2370	Blower Fan Clip . . . . .	1
9	AA446890-0010	Liquid Tube . . . . .	1
10	AA443440-0050S	Pressure Switch . . . . .	1
11	AA246634-6630	Bracket . . . . .	1
12	AA146421-7781	Pressure Switch Harness . . . . .	1
13	AA058700-0520	Relay w/Holder . . . . .	2
13-1	AA056700-5260	Magnetic Clutch & Blower Relay . . . . .	2
13-2	AA058781-0130	Relay Holder Clip . . . . .	2
15	AA447500-0080S	Expansion Valve . . . . .	1
15-1	AA146649-4030S	Packing, Expansion Valve Bulb . . . . .	1
16	AA113550-1200	Thermostat Assy . . . . .	1
17	AA113590-0190	Main Relay (black) . . . . .	1
18	AA246440-7861	Wire Harness, Cooling Unit . . . . .	1

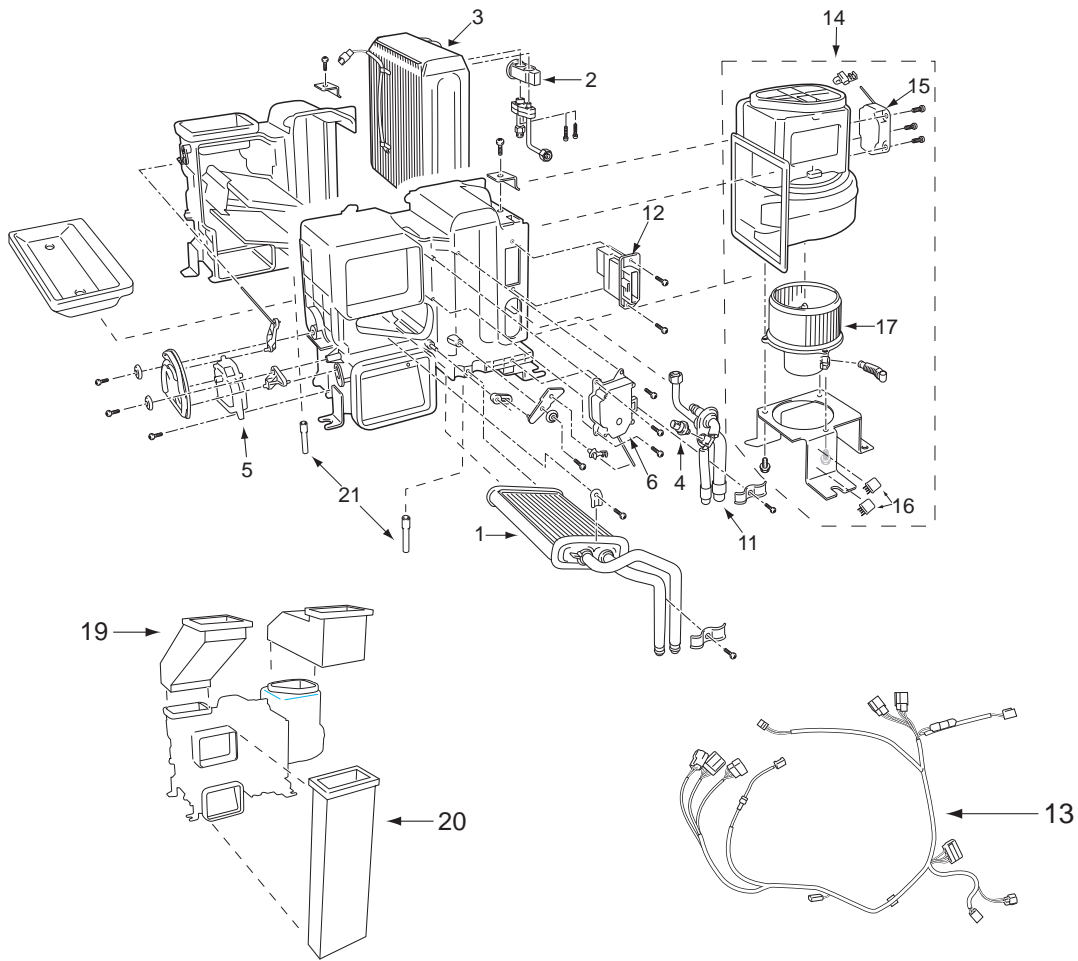
\* Includes both parts in Case Sub-Assy. Not sold individually.

# Air Plenum Assembly - R134a / R12



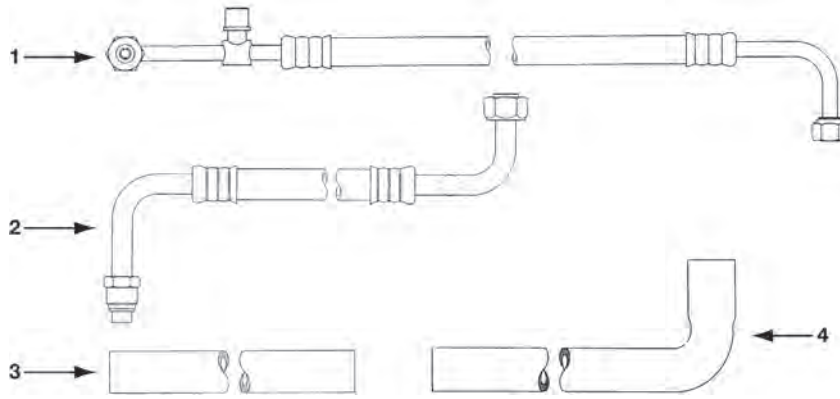
ITEM NO.	PART NO.	DESCRIPTION	QTY/UNIT
-	AA017320-1370S	Air Plenum Assy . . . . .	1
1	AA017321-2260	Air Plenum Case Half - A . . . . .	1
2	AA017321-2270	Air Plenum Case Half - B . . . . .	1
3	AA116650-2420	Damper Door . . . . .	1
4	AA116662-1240	Connecting Rod . . . . .	1
5	AA063700-4770	Servomotor . . . . .	1
6	AA146421-7671	Servo Wire Sub Harness . . . . .	1

# American Eagle, Dream, Tradition HVAC (2001 and on)



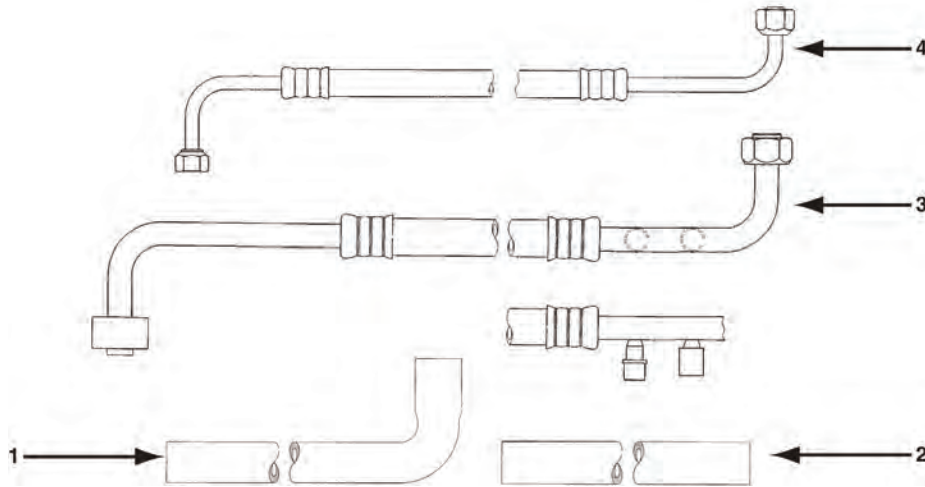
ITEM NO.	PART NO.	DESCRIPTION	QTY/ UNIT
-	443100-9460	HVAC (Complete)	
1	116120-2010	Heater Core Assembly . . . . .	1
2	447500-1031	Expansion Valve . . . . .	1
3	447600-4970	Evaporator . . . . .	1
4	443440-0030	Pressure Switch . . . . .	1
5	063700-7170	Servo motor Assy (mode control) .	1
6	063700-7340	Servo motor Assy (temp control) .	1
11	446810-2981	Suction Tube (evaporator outlet) .	1
12	499300-2031	Power Hybrid Modulator Assembly	1
13	LAY46440-0010	Harness Sub. Assy (HVAC to ECU - thru 2006) . . . . .	1
	LAY46440-001A	Harness Sub. Assy (HVAC to ECU - 2007 and on) . . . .	1
14	117200-0091	Blower Assembly . . . . .	1
15	063700-8330	Servo motor Assy (fresh/recirc) . .	1
16	056800-3120	Magnetic Clutch & Blower Relay . .	2
17	116340-5710	Blower Motor Assembly . . . . .	1
19	LAY45770-0030	Vent Duct Assembly . . . . .	1
20	LAY45770-0040	Foot Duct Assembly . . . . .	1
21	LAY46310-0010	Drain Hose . . . . .	2

## Ford Hose Kit - R134a (mid 2005 and on)



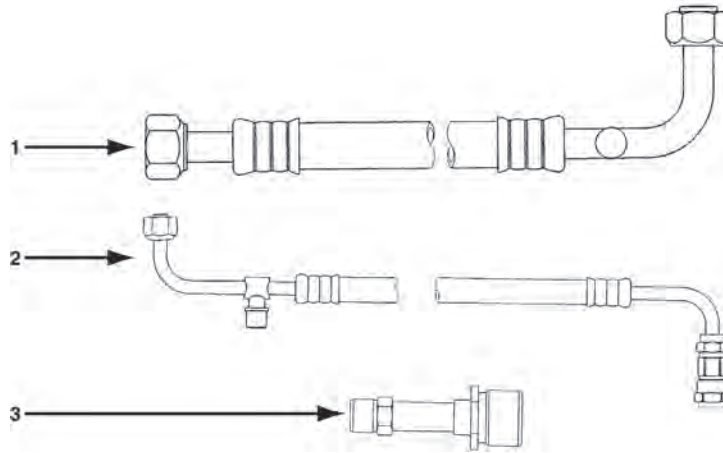
ITEM NO.	PART NO.	DESCRIPTION	QTY/UNIT
1	LA446130-579A	Hose, Liquid . . . . .	1
2	LAY45140-012A	Hose, Suction . . . . .	1
3	LA017264-0020	Hose, Water. . . . .	1
4	LA017266-1720	Hose, Water. . . . .	1

## Workhorse Hose Kit - R134a (mid 1999 and on)



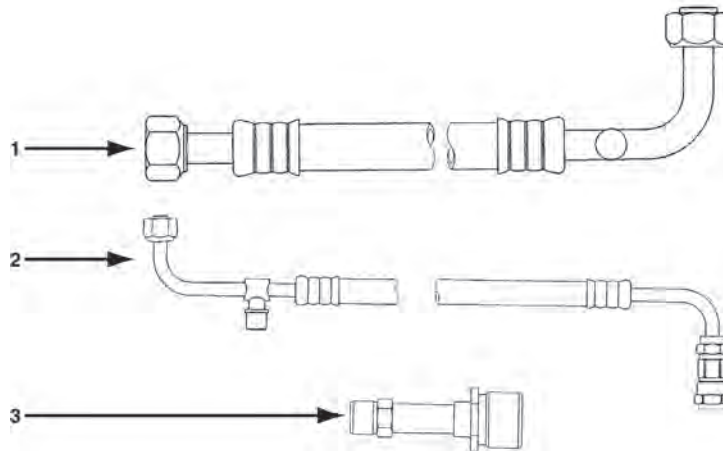
ITEM NO.	PART NO.	DESCRIPTION	QTY/UNIT
1	LA017266-1720	Hose, Water . . . . .	1
2	LA017264-0020	Hose, Water . . . . .	1
3	LA445140-2310	Hose, Suction (thru 2007) . . . . .	1
	LAY45140-0130	Hose, Suction (2008 and on) . . . . .	1
4	LA446130-1592	Hose, Liquid . . . . .	1

## Spartan Hose Kit - ISC (2005 and on)



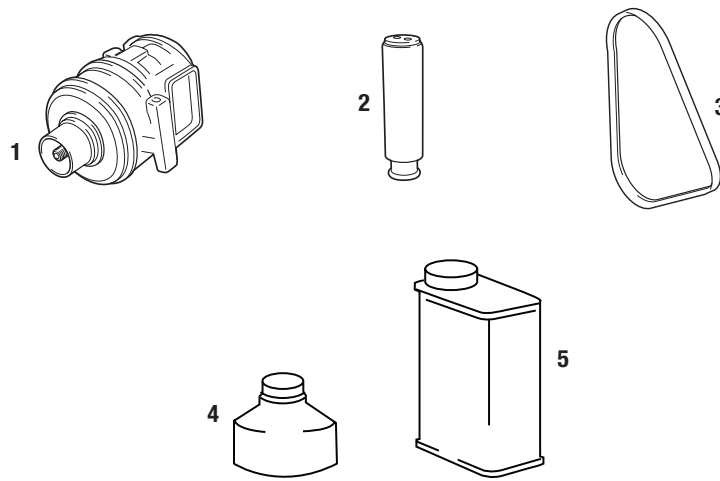
ITEM NO.	PART NO.	DESCRIPTION	QTY/UNIT
1	LAY46140-0010	Hose, Suction . . . . .	1
2	LA446130-1581	Hose, Liquid (includes charge port) . . . . .	1
	LA446130-1582	Hose, Liquid . . . . .	1
	LA445130-0310	Hose, Liquid (American Coach only, includes charge port) . . . . .	1
3	LA246220-3300	Tube, Suction . . . . .	1

## Freightliner Hose Kit - ISB / ISC (2003 and on)



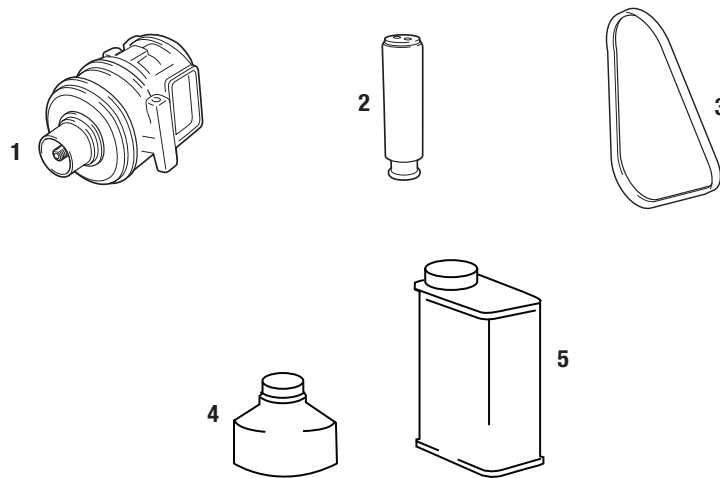
ITEM NO.	PART NO.	DESCRIPTION	QTY/UNIT
1	LAY46140-0010	Hose, Suction . . . . .	1
2	LA446130-1581	Hose, Liquid (includes charge port) . . . . .	1
	LA446130-1582	Hose, Liquid . . . . .	1
	LA445130-0310	Hose, Liquid (American Coach only, includes charge port) . . . . .	1
3	LA246220-3300	Tube, Suction . . . . .	1

## Spartan (1998 thru 2004 - Cummins ISC 8.3L Engine)



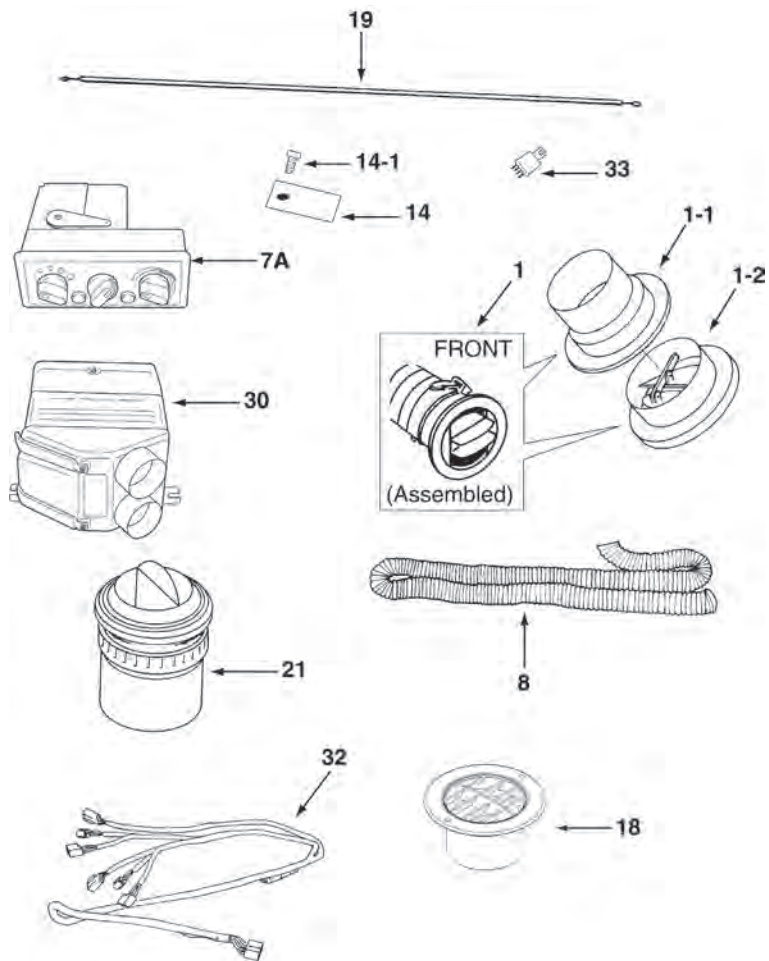
ITEM NO.	PART NO.	DESCRIPTION	QTY/UNIT
1	MC447100-3901S	Compressor w/Clutch . . . . .	1
2	447810-0080	Receiver Drier . . . . .	1
3	LA90871-12005S	V-Belt . . . . .	1
4	LA446963-0030	R134a Compressor Oil (40 cc)	
5	LA446963-0040	R134a Compressor Oil (250 cc)	

## Freightliner (2002 - Cummins ISC 8.3L Engine)



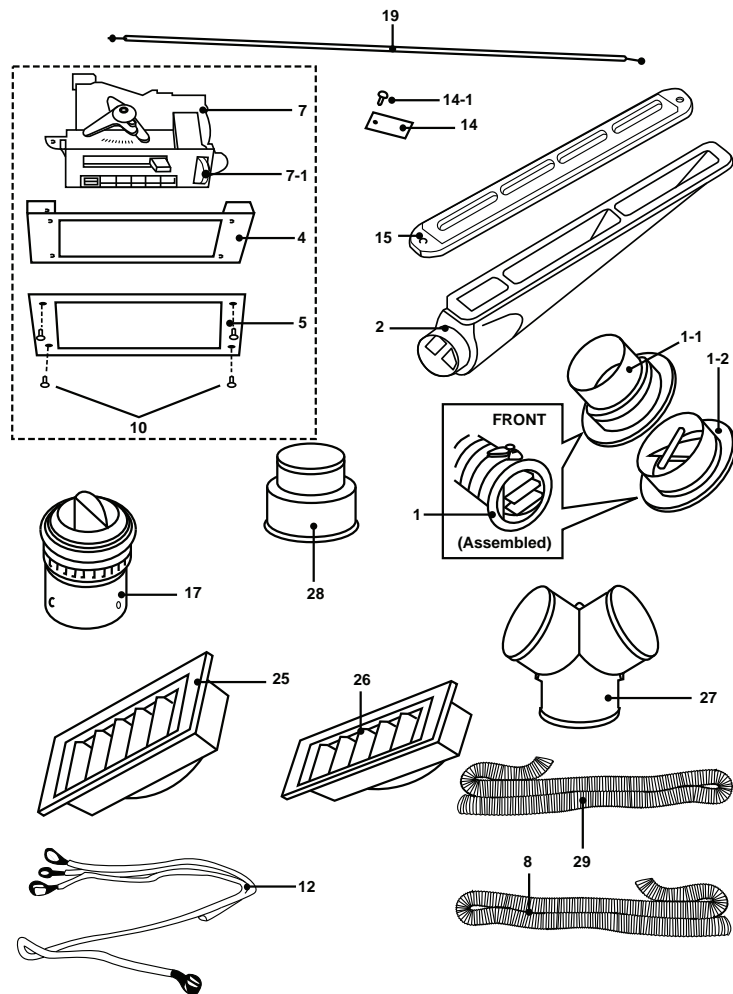
ITEM NO.	PART NO.	DESCRIPTION	QTY/UNIT
1	MC447100-3901S	Compressor w/Clutch . . . . .	1
2	LAY47810-0010	Receiver Drier . . . . .	1
3	LA90871-12005S	V-Belt . . . . .	1
4	LA446963-0030	R134a Compressor Oil (40 cc)	
5	LA446963-0040	R134a Compressor Oil (250 cc)	

# American Allegiance (2008 and on)



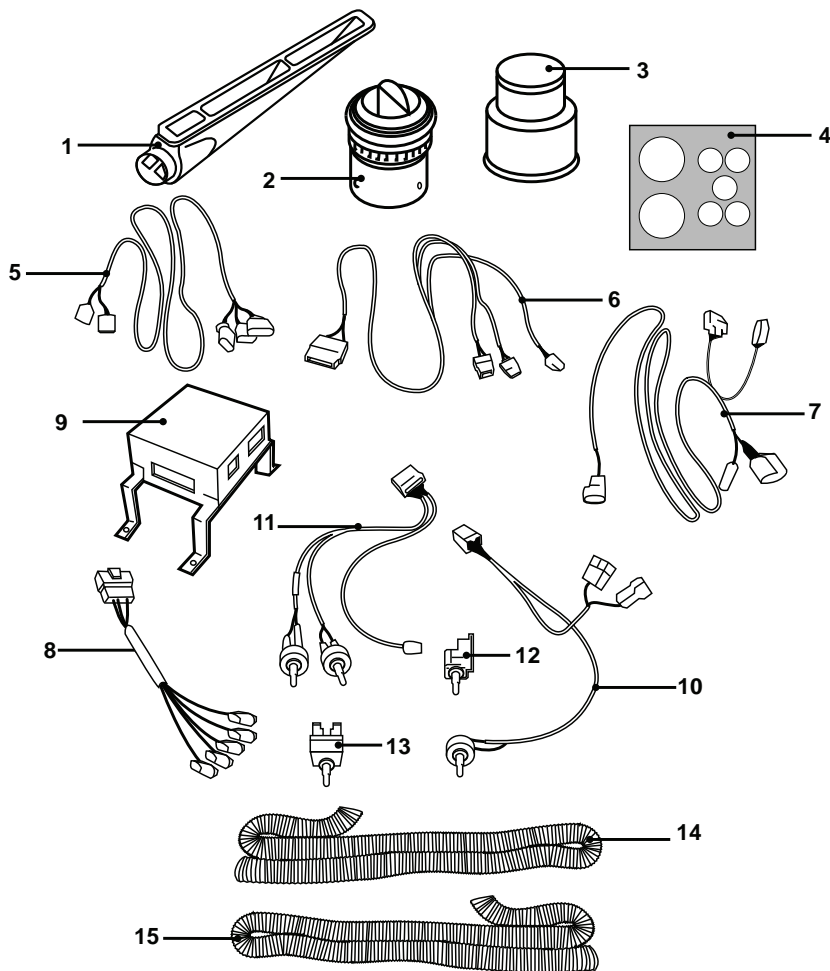
ITEM NO.	PART NO.	DESCRIPTION	QTY/UNIT
1	LA145710-4960	Assy, Complete Grille . . . . .	1
1-1	LA145710-5110	Louver Assy, Base . . . . .	1
1-2	LA145710-5120	Grille, Front Panel . . . . .	1
7A	LA146600-7920S	Rotary Control Panel . . . . .	1
8	LA145810-1940S	Duct Hose (25 ft.) . . . . .	1
14	116563-0730	Control Panel Cable Clamp . . . . .	1
14-1	90930-04101	Cable Clamp Screw . . . . .	1
18	LA145710-6330	Defrost Vent . . . . .	4
19	LAY16350-0010	Control Cable . . . . .	1
21	LAY45710-0010	Black Ball Vent . . . . .	5
30	116600-5962	Supplemental Defroster . . . . .	1
32	LA246460-9650	Wire Sub Harness (Rotary Dial/Supp. Def.) . . . . .	1
33	056700-7330	Relay . . . . .	3

# American Dream (1994 - 2000)



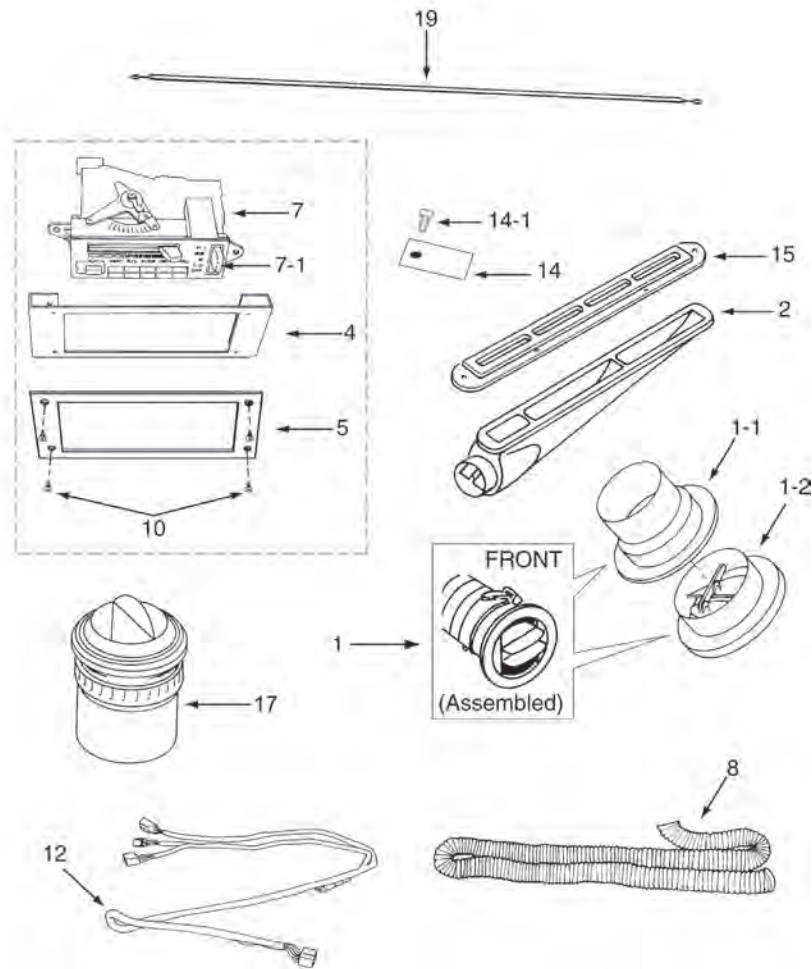
ITEM NO.	PART NO.	DESCRIPTION	QTY/UNIT
1	LA145710-4960	Assy, Complete Grille . . . . .	1
1-1	LA145710-5110	Louver Assy, Base . . . . .	1
1-2	LA145710-5120	Grille, Front Panel . . . . .	1
2	LA145810-1960	Defrost Nozzle . . . . .	2
4	LA146480-1561	Control Panel Bracket . . . . .	1
5	LA146373-6730	Bezel, Control Panel . . . . .	1
7	146430-3540S	Control Panel w/Clamp & Screw.. 1	
7-1	017770-1420	Control Panel Knob . . . . .	2
8	LA145810-1940S	Duct Hose 2-1/2" dia. (25 ft.) . . . . .	1
10	LA92920-04138	Screw . . . . .	4
12	LA246440-8230	Wire Sub Harness . . . . .	1
14	116563-0730	Control Panel Cable Clamp . . . . .	1
14-1	90930-04101	Cable Clamp Screw . . . . .	1
15	LA145710-4971	Defrost Deflector (1994 - 1996) . . . . .	2
17	LA145710-5101	Ball Vent (1997 and on) . . . . .	2
19	LA017780-0130	Cable, Control . . . . .	1
25	LA145710-5151	Vent, Rectangular (1994 - 1996) . . . . .	2
26	LA145710-4950	Vent (narrow), Rectangular (1994 - 1996) . . . . .	1
27	LA145710-5380	Y-Fitting 2-1/2" (1994 - 1996) . . . . .	1
28	LA145710-5390	Reducer 2-1/2" to 2" (1994 - 1996) . . . . .	1
29	LA145710-5400	Duct Hose 2" dia. (2 ft.) (1994 - 1996) . . . . .	1

# American Dream (2001 - 2003)



ITEM NO.	PART NO.	DESCRIPTION	QTY/UNIT
1	LA145810-1960	Passenger Floor Vent . . . . .	1
2	LAY45720-0010	3" Ball Vent . . . . .	5
3	LAY45714-0010	Reducer 3" to 2-1/2" . . . . .	1
4	LAY45770-001A	Air Distribution Plate . . . . .	1
5	LAY46440-0010	W/H Sub-Assy (HVAC/ECU) . . . . .	1
6	LAY46440-0020	W/H Sub-Assy (def./chassis) . . . . .	1
7	LAY46440-0030	W/H Sub-Assy (water valve/def.) . . . . .	1
8	LAY46440-0040	W/H (def. fan) . . . . .	1
9	LAY01752-001A	HVAC ECU Assy . . . . .	1
10	LAY65787-0040	Switch Assy (def. temp.) . . . . .	1
11	LAY65787-005A	Switch Assy (HVAC fan/mode) . . . . .	1
12	LAY77700-0050	PCB II Assy (HVAC temp) . . . . .	1
13	LAY84502-0040	Switch (def. fan) . . . . .	1
14	LAY45810-0010	Duct Hose 3" dia. (25 ft.) . . . . .	1
15	LA145810-1940S	Duct Hose 2-1/2" dia. (25 ft.) . . . . .	1

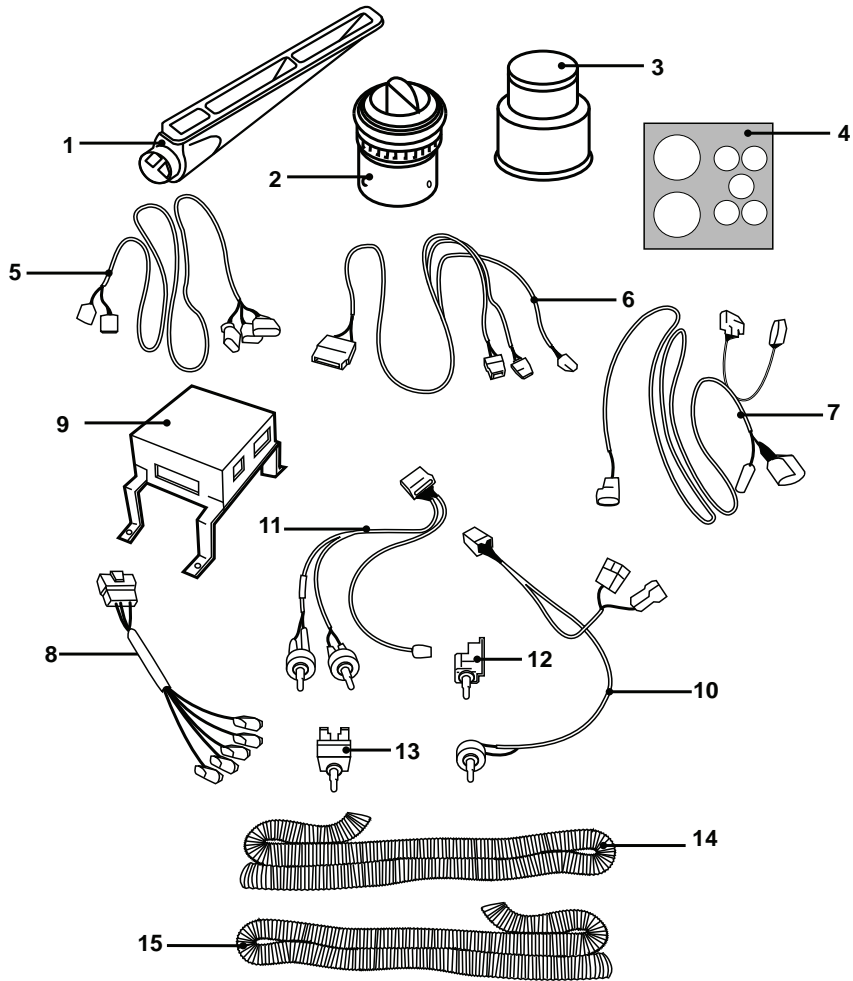
# American Eagle (1994 - 2000)



ITEM NO.	PART NO.	DESCRIPTION	QTY/UNIT
1	LA145710-4960	Assy, Complete Grille . . . . .	1
1-1	LA145710-5110	Louver Assy, Base . . . . .	1
1-2	LA145710-5120	Grille, Front Panel . . . . .	1
2	LA145810-1960	Defrost Nozzle . . . . .	2
4	LA146480-1561	Control Panel Bracket . . . . .	1
5	LA146373-6730	Bezel, Control Panel . . . . .	1
7	146430-3540S	Control Panel w/Clamp & Screw . . . . .	1
7-1	017770-1420	Control Panel Knob . . . . .	2
8	LA145810-1940S	Duct Hose (25 ft.) . . . . .	1
10	LA92920-04138	Screw . . . . .	4
12	LA246440-8230	Wire Sub Harness . . . . .	1
14	116563-0730	Control Panel Cable Clamp . . . . .	1
14-1	90930-04101	Cable Clamp Screw . . . . .	1
15	LA145710-4971	* Defrost Deflector (thru mid 1995) . . . . .	2
17	LA145710-5101	Ball Vent . . . . .	7
19	LA017780-0130	Cable, Control . . . . .	1

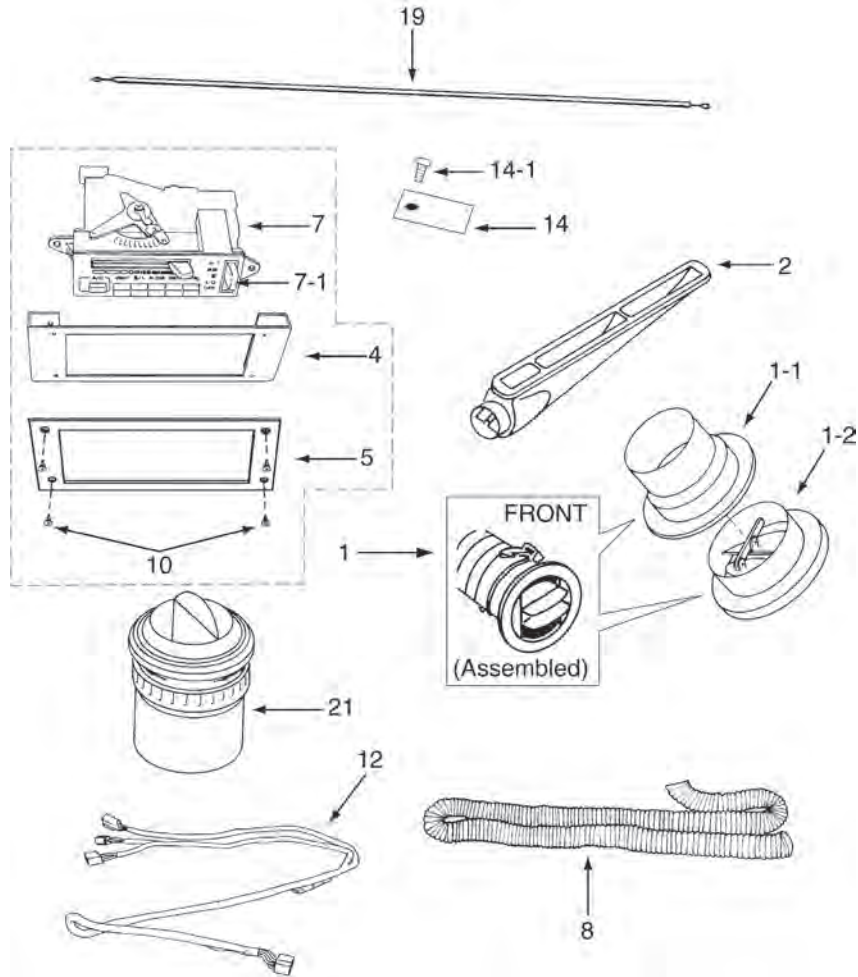
\* Use only panhead screws (Fleetwood P/N M59-5802 or equivalent) supplied by Fleetwood.

# American Eagle (2001 and on)



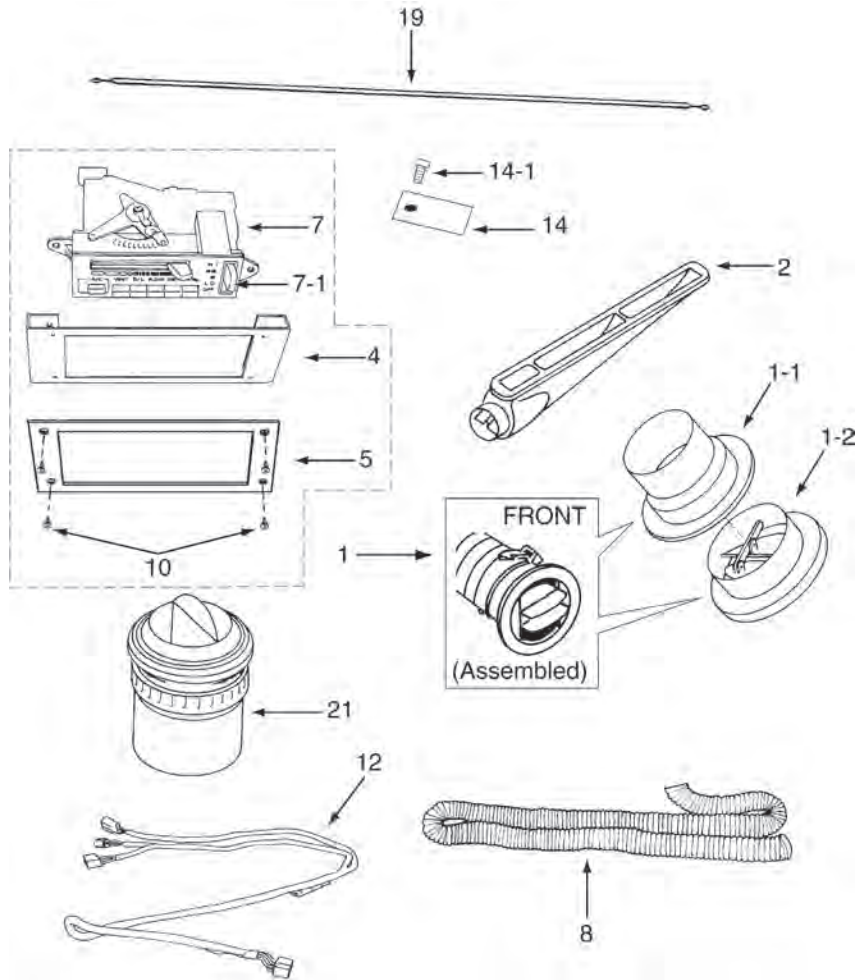
ITEM NO.	PART NO.	DESCRIPTION	QTY/UNIT
1	LA145810-1960	Passenger Floor Vent . . . . .	1
2	LAY45720-0010	3" Ball Vent . . . . .	5
3	LAY45714-0010	Reducer 3" to 2-1/2" . . . . .	1
4	LAY45770-001A	Air Distribution Plate . . . . .	1
5	LAY46440-0010	Harness Sub. Assy (HVAC to ECU - thru 2006) . . . . .	1
	LAY46440-001A	Harness Sub. Assy (HVAC to ECU - 2007 and on) . . . . .	1
6	LAY46440-0020	W/H Sub-Assy (def./chassis) . . . . .	1
7	LAY46440-0030	W/H Sub-Assy (water valve/def.) . . . . .	1
8	LAY46440-0040	W/H (def. fan) . . . . .	1
9	LAY01752-001A	HVAC ECU Assy . . . . .	1
10	LAY65787-0040	Switch Assy (def. temp. - thru 2006) . . . . .	1
	LAY65787-004A	Switch Assy (def. temp. - 2007 and on) . . . . .	1
11	LAY65787-005A	Switch Assy (HVAC fan/mode - thru 2006) . . . . .	1
	LAY65787-005B	Switch Assy (HVAC fan/mode - 2007 and on) . . . . .	1
12	LAY77700-0050	PCB II Assy (HVAC temp) . . . . .	1
13	LAY84502-0040	Switch (def. fan) . . . . .	1
14	LAY45810-0010	Duct Hose 3" dia. (25 ft.) . . . . .	1
15	LA145810-1940S	Duct Hose 2-1/2" dia. (25 ft.) . . . . .	1

# American Flyer (1995)



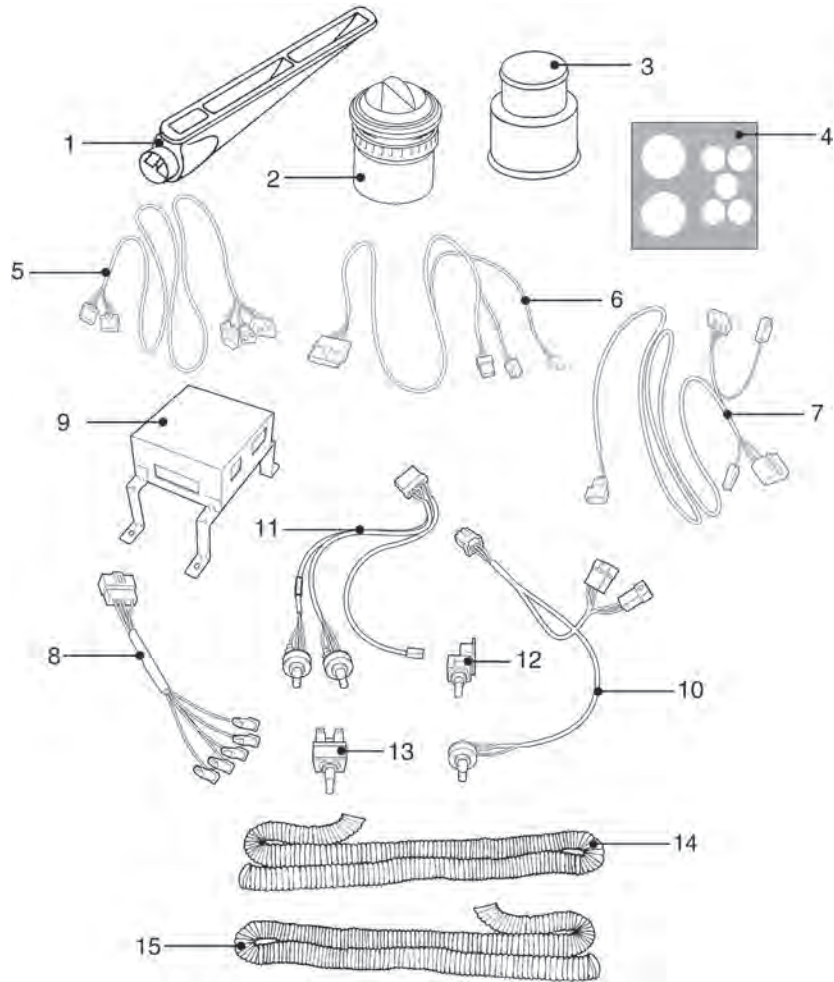
ITEM NO.	PART NO.	DESCRIPTION	QTY/ UNIT
1	LA145710-4960	Assy, Complete Grille . . . . .	1
1-1	LA145710-5110	Louver Assy, Base . . . . .	1
1-2	LA145710-5120	Grille, Front Panel . . . . .	1
2	LA145810-1960	Defrost Nozzle . . . . .	2
4	LA146480-1561	Control Panel Bracket . . . . .	1
5	LA146373-6730	Bezel, Control Panel . . . . .	1
7	146430-3540S	Control Panel w/Clamp & Screw..	1
7-1	017770-1420	Control Panel Knob . . . . .	2
8	LA145810-1940S	Duct Hose (25 ft.) . . . . .	1
10	LA92920-04138	Screw . . . . .	4
12	LA246440-8230	Wire Sub Harness . . . . .	1
14	116563-0730	Control Panel Cable Clamp . . . . .	1
14-1	90930-04101	Cable Clamp Screw . . . . .	1
19	LA017780-0130	Cable, Control . . . . .	1
21	LA145710-5341	Chrome Ball Vent . . . . .	4

# American Tradition (1996 - 2000)



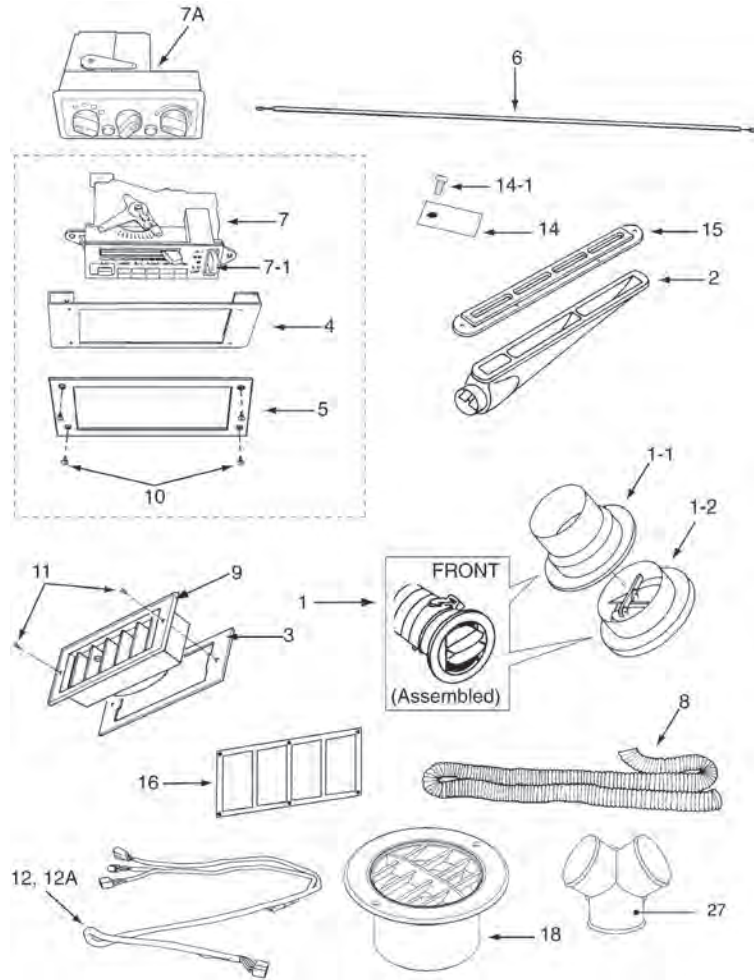
ITEM NO.	PART NO.	DESCRIPTION	QTY/UNIT
1	LA145710-4960	Assy, Complete Grille . . . . .	1
1-1	LA145710-5110	Louver Assy, Base . . . . .	1
1-2	LA145710-5120	Grille, Front Panel . . . . .	1
2	LA145810-1960	Defrost Nozzle . . . . .	2
4	LA146480-1561	Control Panel Bracket . . . . .	1
5	LA146373-6730	Bezel, Control Panel . . . . .	1
7	146430-3540S	Control Panel w/Clamp & Screw..	1
7-1	017770-1420	Control Panel Knob . . . . .	2
8	LA145810-1940S	Duct Hose (25 ft.) . . . . .	1
10	LA92920-04138	Screw . . . . .	4
12	LA246440-8230	Wire Sub Harness . . . . .	1
14	116563-0730	Control Panel Cable Clamp . . . . .	1
14-1	90930-04101	Cable Clamp Screw . . . . .	1
19	LA017780-0130	Cable, Control. . . . .	1
21	LA145710-5101	Chrome Ball Vent (thru mid 1998)	4
	LA145710-5341	Ball Vent (mid 1998 and on) . . . . .	4

## American Tradition (2001 and on)



ITEM NO.	PART NO.	DESCRIPTION	QTY/ UNIT
1	LA145810-1960	Passenger Floor Vent . . . . .	1
2	LAY45720-0010	3" Ball Vent . . . . .	5
3	LAY45714-0010	Reducer 3" to 2-1/2" . . . . .	1
4	LAY45770-001A	Air Distribution Plate . . . . .	1
5	LAY46440-0010	Harness Sub. Assy (HVAC to ECU - thru 2006) . . . . .	1
	LAY46440-001A	Harness Sub. Assy (HVAC to ECU - 2007 and on) . . . . .	1
6	LAY46440-0020	W/H Sub-Assy (def./chassis) . . . . .	1
7	LAY46440-0030	W/H Sub-Assy (water valve/def.) . . . . .	1
8	LAY46440-0040	W/H (def. fan) . . . . .	1
9	LAY01752-001A	HVAC ECU Assy . . . . .	1
10	LAY65787-0040	Switch Assy (def. temp. - thru 2006) . . . . .	1
	LAY65787-004A	Switch Assy (def. temp. - 2007 and on) . . . . .	1
11	LAY65787-005A	Switch Assy (HVAC fan/mode - thru 2006) . . . . .	1
	LAY65787-005B	Switch Assy (HVAC fan/mode - 2007 and on) . . . . .	1
12	LAY77700-0050	PCB II Assy (HVAC temp) . . . . .	1
13	LAY84502-0040	Switch (def. fan) . . . . .	1
14	LAY45810-0010	Duct Hose 3" dia. (25 ft.) . . . . .	1
15	LA145810-1940S	Duct Hose 2-1/2" dia. (25 ft.) . . . . .	1

# Bounder (1994 and on)

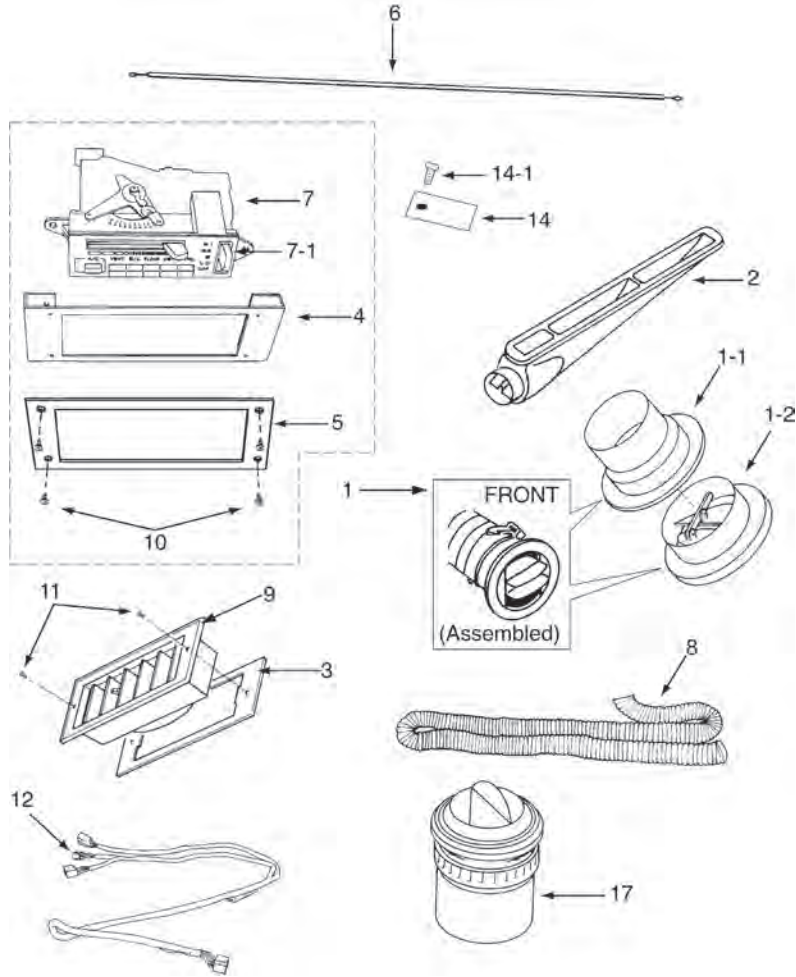


ITEM NO.	PART NO.	DESCRIPTION	QTY/UNIT
1	LA145710-4960	Assy, Complete Grille	1
1-1	LA145710-5110	Louver Assy, Grille	1
1-2	LA145710-5120	Grille, Foot Base	1
2	LA145810-1960	Defrost Nozzle (thru 1998)	2
3	LA145760-0450	Bracket, Grille	4
4	LA146480-1561	Control Panel Bracket	1
5	LA146373-6730	Bezel, Control Panel	1
6	LA016360-0011	Cable, Control (thru 1998)	1
	LA017780-0130	Cable, Control (1999 and on)	
7	146430-3540S	Control Panel w/Clamp & Screw	1
7-1	017770-1420	Control Panel Knob	2
7A	LA146600-7920S	Rotary Control Panel (2002 and on)	1
8	LA145810-1940S	Duct Hose (25 ft.)	1
9	LA145710-5140	Grille, Vent	4

ITEM NO.	PART NO.	DESCRIPTION	QTY/UNIT
10	LA92920-04138	Screw	4
11	LA92900-03208	Screw	8
12	LA246440-8230	Wire Sub Harness	1
12A	LA246460-9380	Wire Sub Harness (2002 and on)	1
14	116563-0730	Control Panel Cable Clamp	1
14-1	90930-04101	Control Cable Clamp Screw	1
15	LA145710-4971	* Defrost Deflector (thru mid 1998)	2
16	LA145720-0320	Air Return Grille (1997 - 1998)	1
18	LA145710-6330	Defrost Vent	4
27	LA145710-5380	Y-Fitting 2-1/2"	2

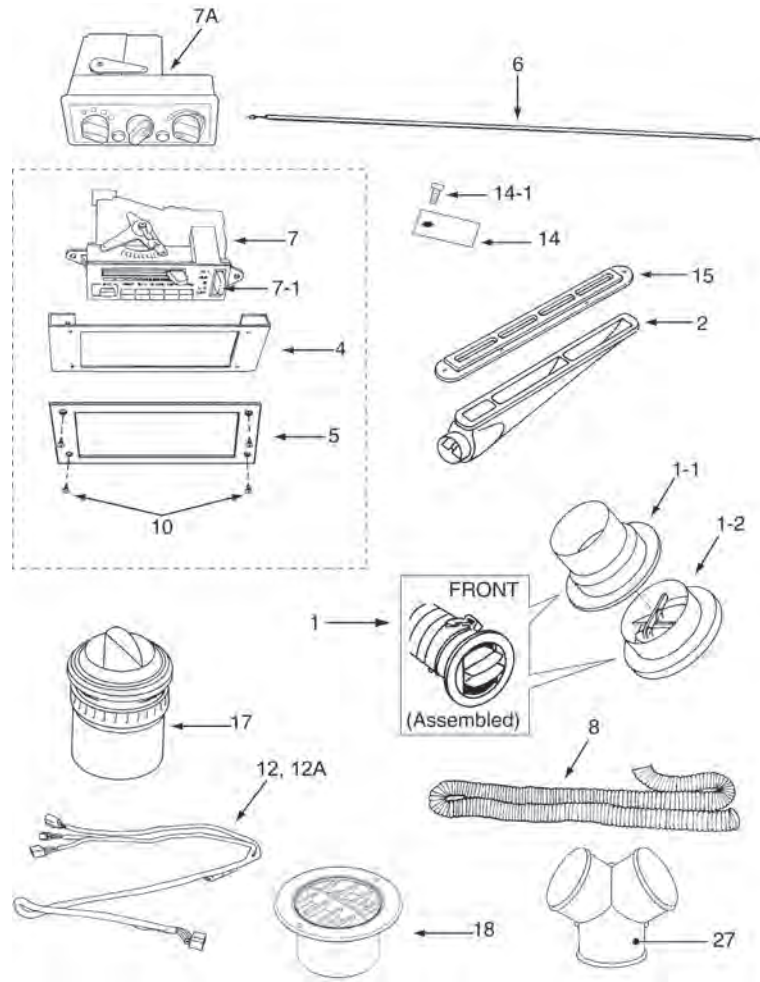
\* Use only panhead screws (Fleetwood P/N M59-5802 or equivalent) supplied by Fleetwood.

# Coronado (1993 - 1995)



ITEM NO.	PART NO.	DESCRIPTION	QTY/UNIT
1	LA145710-4960	Assy, Complete Grille . . . . .	1
1-1	LA145710-5110	Louver Assy, Base . . . . .	1
1-2	LA145710-5120	Grille, Front Panel . . . . .	1
2	LA145810-1960	Defrost Nozzle . . . . .	2
3	LA145760-0450	Bracket, Grille (1993 model) . . . . .	4
4	LA146480-1561	Control Panel Bracket . . . . .	1
5	LA146373-6730	Bezel, Control Panel . . . . .	1
6	LA016360-0011	Cable, Control . . . . .	1
7	146430-3540S	Control Panel w/Clamp & Screw . . . . .	1
7-1	017770-1420	Control Panel Knob . . . . .	2
8	LA145810-1940S	Duct Hose (25 ft.) . . . . .	1
9	LA145710-5140	Grille, Vent (1993 model) . . . . .	4
10	LA92920-04138	Screw . . . . .	4
11	LA92900-03208	Screw (1993 model) . . . . .	8
12	LA246440-8230	Wire Sub Harness . . . . .	1
14	116563-0730	Control Panel Cable Clamp . . . . .	1
14-1	90930-04101	Control Cable Clamp Screw . . . . .	1
17	LA145710-5101	Ball Vent (1994 - 1995) . . . . .	4

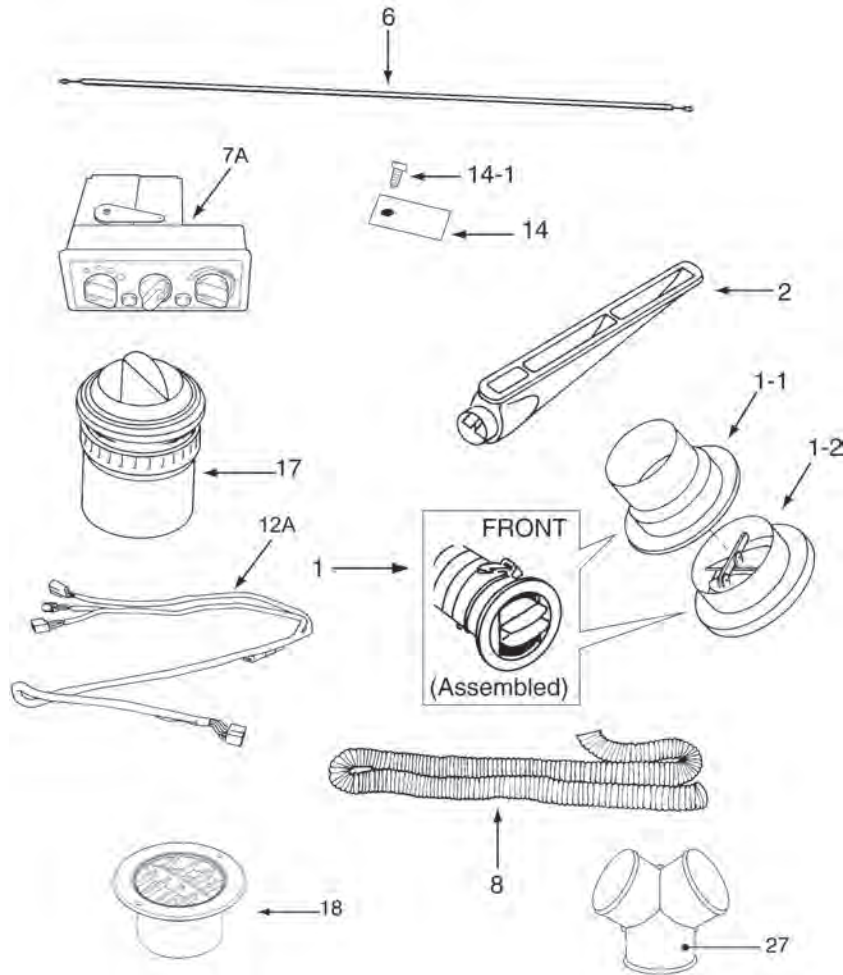
# Discovery (1996 and on)



ITEM NO.	PART NO.	DESCRIPTION	QTY/ UNIT
1	LA145710-4960	Assy, Complete Grille . . . . .	1
1-1	LA145710-5110	Louver Assy, Base . . . . .	1
1-2	LA145710-5120	Grille, Front Panel . . . . .	1
2	LA145810-1960	Defrost Nozzle . . . . .	2
4	LA146480-1561	Control Panel Bracket . . . . .	1
5	LA146373-6730	Bezel, Control Panel . . . . .	1
6	LA016360-0011	Cable, Control (thru mid 1998) . .	1
	LA016350-0010	Cable, Control (mid 1998 and on) .	1
7	146430-3540S	Control Panel w/Clamp & Screw . .	1
7-1	017770-1420	Control Panel Knob . . . . .	2
7A	LA146600-7920S	Rotary Control Panel (2002 and on)	1
8	LA145810-1940S	Duct Hose (25 ft.) . . . . .	1
10	LA92920-04138	Screw . . . . .	4
12	LA246440-8230	Wire Sub Harness . . . . .	1
12A	LA246460-9380	Wire Sub Harness (2002 and on) . .	1
14	116563-0730	Control Panel Cable Clamp . . . . .	1
14-1	90930-04101	Control Cable Clamp Screw . . . . .	1
15	LA145710-4971	* Defrost Deflector (thru mid 1998)	2
17	LA145710-5101	Ball Vent . . . . .	5
18	LA145710-6330	Defrost Vent (2002 and on) . . . . .	4
27	LA145710-5380	Y-Fitting 2-1/2" . . . . .	2

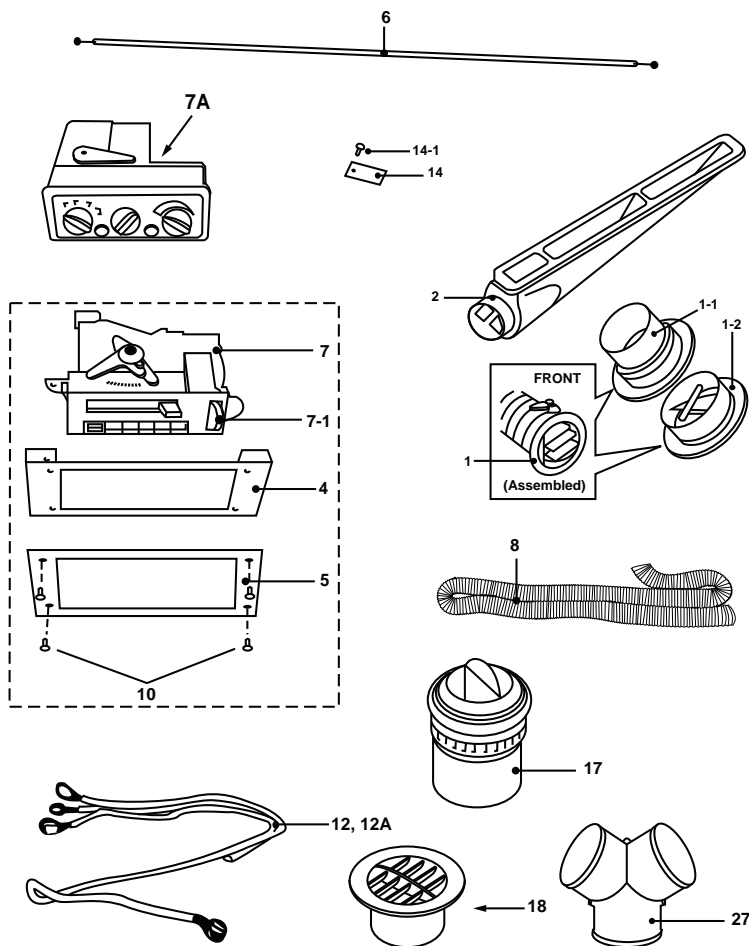
\* Use only panhead screws (Fleetwood P/N M59-5802 or equivalent) supplied by Fleetwood.

## Excursion (2001 and on)



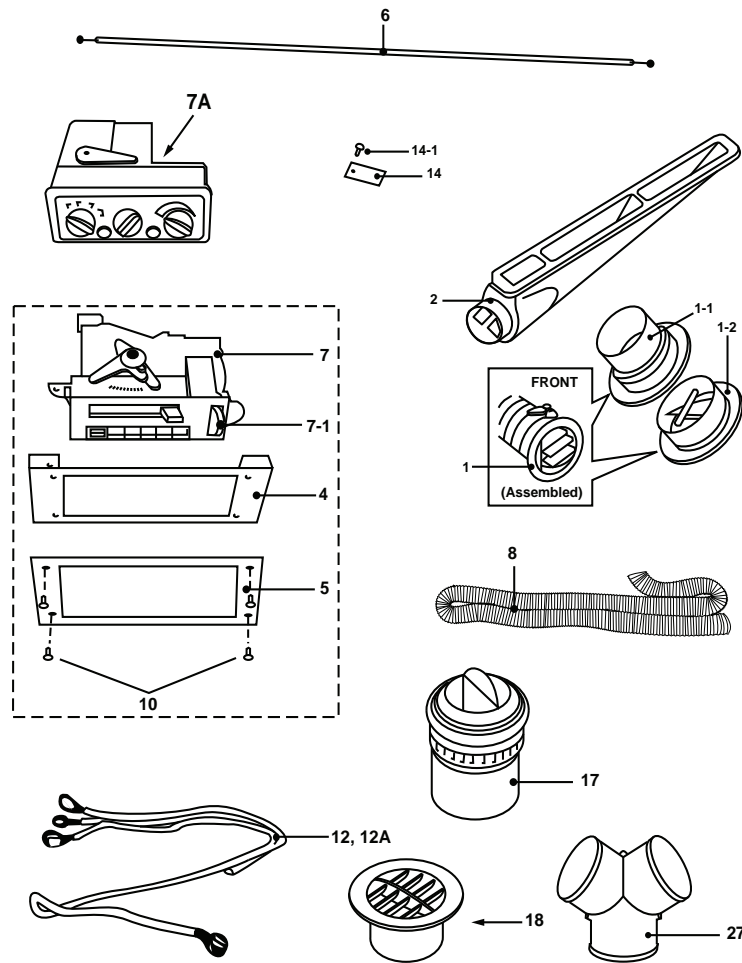
ITEM NO.	PART NO.	DESCRIPTION	QTY/UNIT
1	LA145710-4960	Assy, Complete Grille . . . . .	1
1-1	LA145710-5110	Louver Assy, Base . . . . .	1
1-2	LA145710-5120	Grille, Front Panel . . . . .	1
2	LA145810-1960	Defrost Nozzle . . . . .	2
6	LA016350-0010	Cable, Control . . . . .	1
7A	LA146600-7920S	Rotary Control Panel . . . . .	1
8	LA145810-1940S	Duct Hose (25 ft.) . . . . .	1
12A	LA246460-9380	Wire Sub Harness . . . . .	1
14	116563-0730	Control Panel Cable Clamp . . . . .	1
14-1	90930-04101	Control Cable Clamp Screw . . . . .	1
17	LA145710-5101	Ball Vent . . . . .	5
18	LA145710-6330	Defrost Vent . . . . .	4
27	LA145710-5380	Y-Fitting 2-1/2" . . . . .	2

# Expedition (2001 and on)



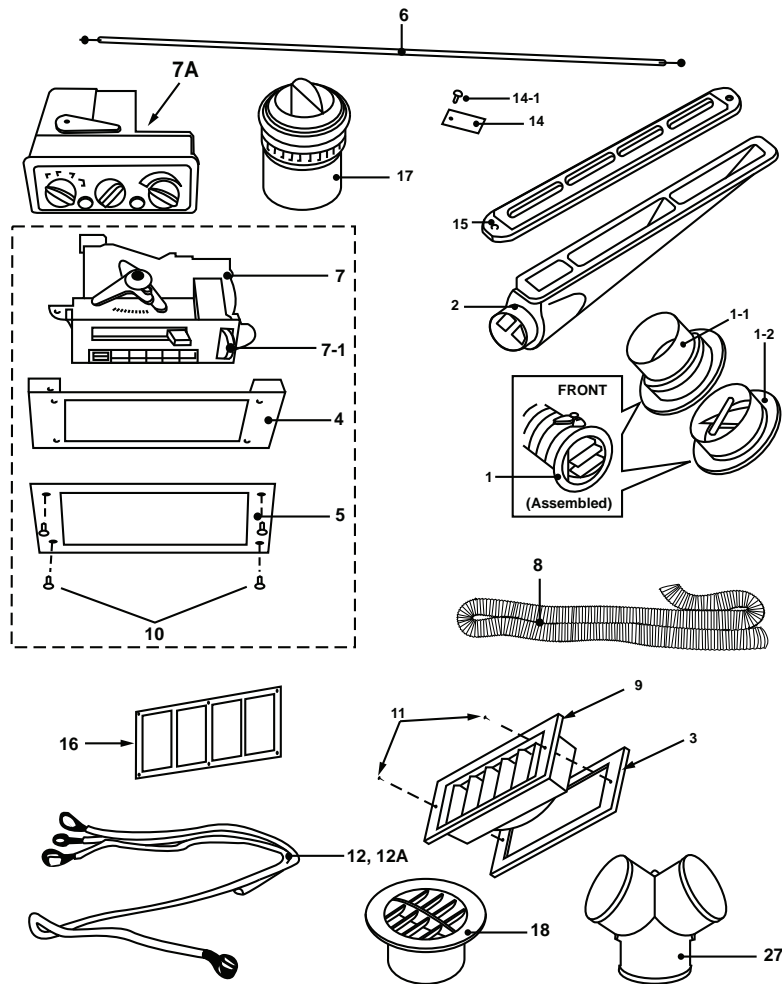
ITEM NO.	PART NO.	DESCRIPTION	QTY/UNIT
1	LA145710-4960	Assy, Complete Grille . . . . .	1
1-1	LA145710-5110	Louver Assy, Base . . . . .	1
1-2	LA145710-5120	Grille, Front Panel . . . . .	1
2	LA145810-1960	Defrost Nozzle . . . . .	2
4	LA146480-1561	Control Panel Bracket . . . . .	1
5	LA146373-6730	Bezel, Control Panel . . . . .	1
6	LA016350-0010	Cable, Control . . . . .	1
7	146430-3540S	Control Panel w/Clamp & Screw. . . . .	1
7-1	017770-1420	Control Panel Knob . . . . .	2
7A	LA146600-7920S	Rotary Control Panel (2002 and on) 1	1
8	LA145810-1940S	Duct Hose (25 ft.) . . . . .	1
10	LA92920-04138	Screw . . . . .	4
12	LA246440-8230	Wire Sub Harness (2001) . . . . .	1
12A	LA246460-9380	Wire Sub Harness (2002 and on) . . . . .	1
14	116563-0730	Control Panel Cable Clamp . . . . .	1
14-1	90930-04101	Control Cable Clamp Screw . . . . .	1
17	LA145710-5101	Ball Vent . . . . .	5
18	LA145710-6330	Defrost Vent . . . . .	4
27	LA145710-5380	Y-Fitting 2-1/2" . . . . .	2

# Fiesta (2001 and on)



ITEM NO.	PART NO.	DESCRIPTION	QTY/UNIT
1	LA145710-4960	Assy, Complete Grille . . . . .	1
1-1	LA145710-5110	Louver Assy, Base . . . . .	1
1-2	LA145710-5120	Grille, Front Panel . . . . .	1
2	LA145810-1960	Defrost Nozzle . . . . .	2
4	LA146480-1561	Control Panel Bracket . . . . .	1
5	LA146373-6730	Bezel, Control Panel . . . . .	1
6	LA017780-0010	Cable, Control . . . . .	1
7	146430-3540S	Control Panel w/Clamp & Screw . . . . .	1
7-1	017770-1420	Control Panel Knob . . . . .	2
7A	LA146600-7920S	Rotary Control Panel (2006 and on) . . . . .	1
8	LA145810-1940S	Duct Hose (25 ft.) . . . . .	1
10	LA92920-04138	Screw . . . . .	4
12	LA246460-935A	Wire Sub Harness (thru 2005) . . . . .	1
12A	LA246460-9380	Wire Sub Harness (2006 and on) . . . . .	1
14	116563-0730	Control Panel Cable Clamp . . . . .	1
14-1	90930-04101	Control Cable Clamp Screw . . . . .	1
17	LA145710-5101	Ball Vent . . . . .	5
18	LA145710-6330	Defrost Vent . . . . .	4
27	LA145710-5380	Y-Fitting 2-1/2" . . . . .	2

# Flair (1994 and on)

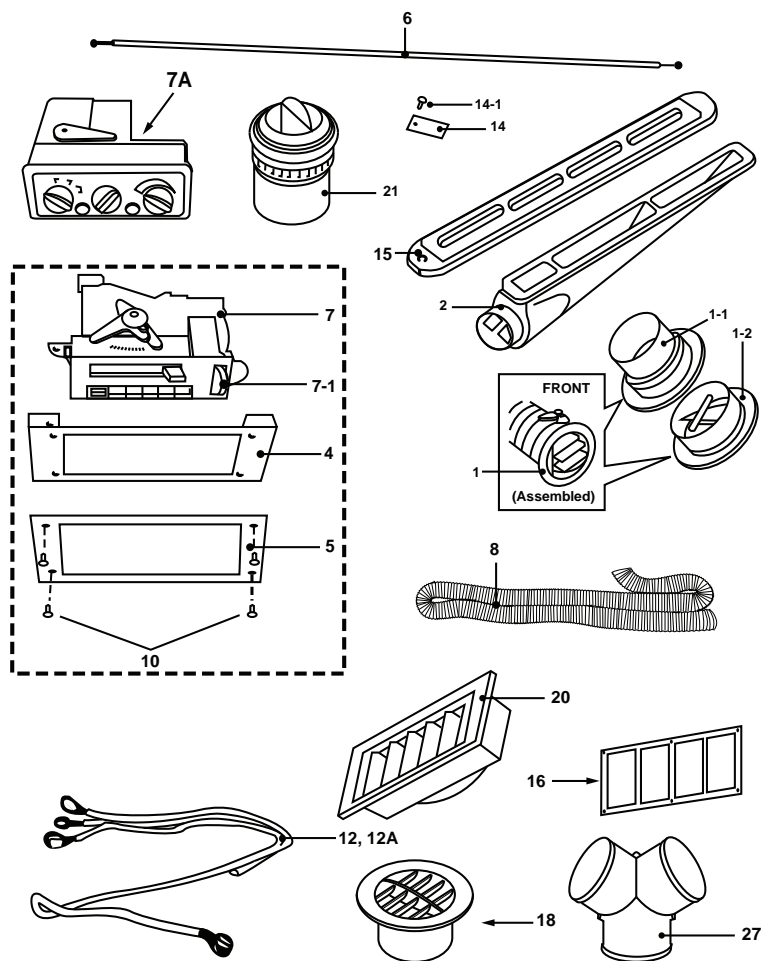


ITEM NO.	PART NO.	DESCRIPTION	QTY/UNIT
1	LA145710-4960	Assy, Complete Grille	1
1-1	LA145710-5110	Louver Assy, Base	1
1-2	LA145710-5120	Grille, Front Panel	1
2	LA145810-1960	Defrost Nozzle	2
3	LA145760-0450	Bracket, Grille	4
4	LA146480-1561	Control Panel Bracket	1
5	LA146373-6730	Bezel, Control Panel	1
6	LA016360-0011	Cable, Control (thru 1998)	1
	LA017780-0130	Cable, Control (1999 and on)	1
7	146430-3540S	Control Panel w/Clamp & Screw	1
7-1	017770-1420	Control Panel Knob	2
7A	LA146600-7920S	Rotary Control Panel (2005 and on)	1
8	LA145810-1940S	Duct Hose (25 ft.)	1
9	LA145710-5140	Grille, Vent (thru 1997)	4

ITEM NO.	PART NO.	DESCRIPTION	QTY/UNIT
10	LA92920-04138	Screw	4
11	LA92900-03208	Screw	8
12	LA246440-8230	Wire Sub Harness	1
12A	LA246460-9380	Wire Sub Harness (2005 and on)	1
14	116563-0730	Control Panel Cable Clamp	1
14-1	90930-04101	Control Cable Clamp Screw	1
15	LA145710-4971	* Defrost Deflector (thru mid 1998)	2
16	LA145720-0320	Air Return Grille	1
17	LA145710-5101	Ball Vent (1998 and on)	4
18	LA145710-6330	Defrost Vent	4
27	LA145710-5380	Y-Fitting 2-1/2"	2

\* Use only panhead screws (Fleetwood P/N M59-5802 or equivalent) supplied by Fleetwood.

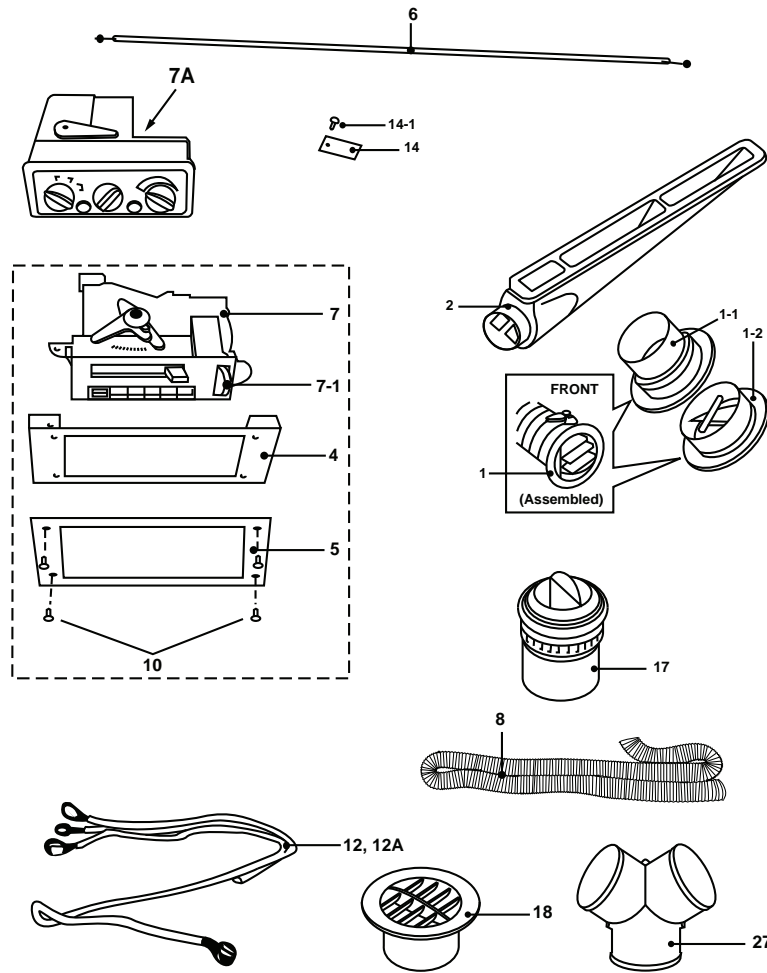
# Pace Arrow (1994 and on)



ITEM NO.	PART NO.	DESCRIPTION	QTY/ UNIT
1	LA145710-4960	Assy, Complete Grille . . . . .	1
1-1	LA145710-5110	Louver Assy, Base . . . . .	1
1-2	LA145710-5120	Grille, Front Panel . . . . .	1
2	LA145810-1960	Defrost Nozzle . . . . .	2
4	LA146480-1561	Control Panel Bracket (1995 - 2001) . . . . .	1
5	LA146373-6730	Bezel, Control Panel (1995 - 2001) . . . . .	1
6	LA016360-0011	Cable, Control (1994) . . . . .	1
	LA017780-0130	Cable, Control (1995 and on) . . . . .	1
7	146430-3540S	Control Panel w/Clamp & Screw . . . . .	1
7-1	017770-1420	Control Panel Knob . . . . .	2
7A	LA146600-7920S	Rotary Control Panel (2002 and on) . . . . .	1
8	LA145810-1940S	Duct Hose (25 ft.) . . . . .	1
12	LA246440-8230	Wire Sub Harness (thru 2001) . . . . .	1
12A	LA246460-9380	Wire Sub Harness (2002 and on) . . . . .	1
14	116563-0730	Control Panel Cable Clamp . . . . .	1
14-1	90930-04101	Control Cable Clamp Screw . . . . .	1
15	LA145710-4971	* Defrost Deflector (1994) . . . . .	2
16	LA145720-0320	Air Return Grille (1994) . . . . .	1
18	LA145710-6330	Defrost Vent . . . . .	4
20	LA145710-5151	Grille, Vent (1994) . . . . .	5
21	LA145710-5341	Chrome Ball Vent (1995 and on) . . . . .	4
27	LA145710-5380	Y-Fitting 2-1/2" . . . . .	2

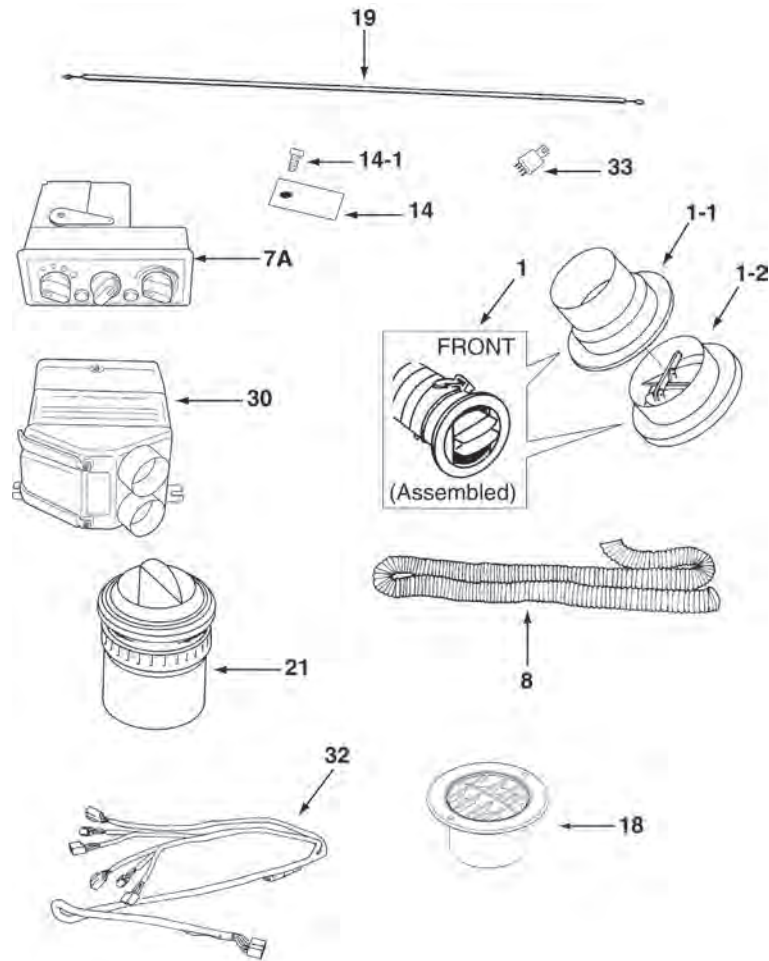
\* Use only panhead screws (Fleetwood P/N M59-5802 or equivalent) supplied by Fleetwood.

# Providence (2001 and on)



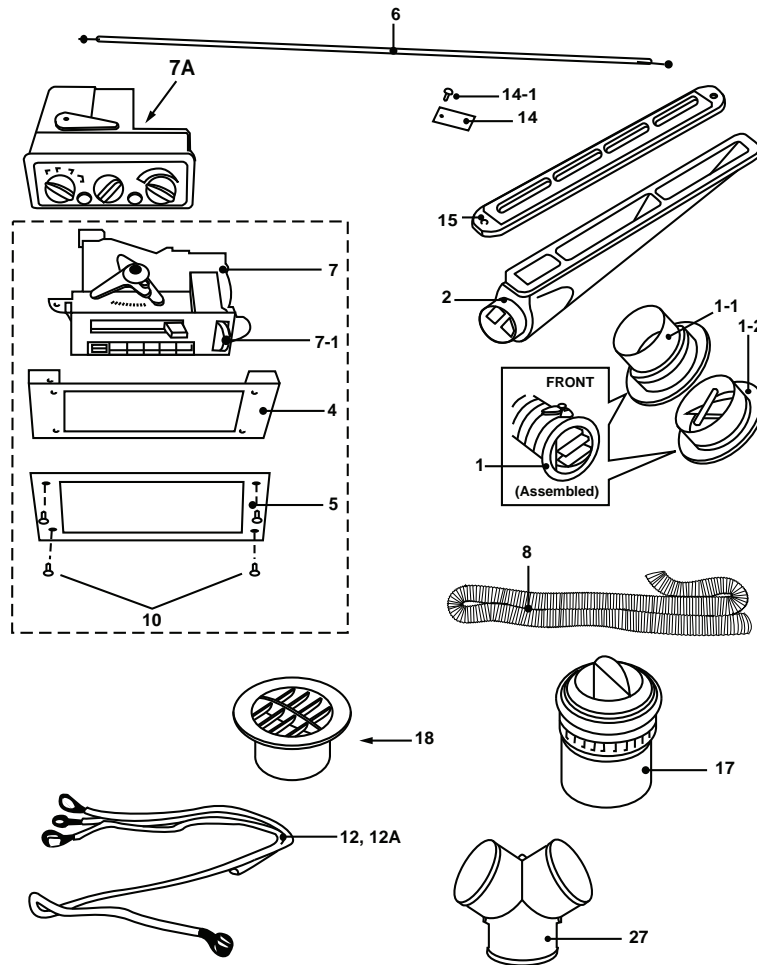
ITEM NO.	PART NO.	DESCRIPTION	QTY/UNIT
1	LA145710-4960	Assy, Complete Grille	1
1-1	LA145710-5110	Louver Assy, Base	1
1-2	LA145710-5120	Grille, Front Panel	1
2	LA145810-1960	Defrost Nozzle	2
4	LA146480-1561	Control Panel Bracket	1
5	LA146373-6730	Bezel, Control Panel	1
6	LA016350-0010	Cable, Control	1
7	146430-3540S	Control Panel w/Clamp & Screw	1
7-1	017770-1420	Control Panel Knob	2
7A	LA146600-7920S	Rotary Control Panel (2002 and on)	1
8	LA145810-1940S	Duct Hose (25 ft.)	1
10	LA92920-04138	Screw	4
12	LA246440-8230	Wire Sub Harness (2001)	1
12A	LA246460-9380	Wire Sub Harness (2002 and on)	1
14	116563-0730	Control Panel Cable Clamp	1
14-1	90930-04101	Control Cable Clamp Screw	1
17	LA145710-5101	Ball Vent	5
18	LA145710-6330	Defrost Vent	4
27	LA145710-5380	Y-Fitting 2-1/2"	2

# Revolution (2001 and on)



ITEM NO.	PART NO.	DESCRIPTION	QTY/UNIT
1	LA145710-4960	Assy, Complete Grille . . . . .	1
1-1	LA145710-5110	Louver Assy, Base . . . . .	1
1-2	LA145710-5120	Grille, Front Panel . . . . .	1
7A	LA146600-7920S	Rotary Control Panel . . . . .	1
8	LA145810-1940S	Duct Hose (25 ft.) . . . . .	1
14	116563-0730	Control Panel Cable Clamp . . . . .	1
14-1	90930-04101	Cable Clamp Screw . . . . .	1
18	LA145710-6330	Defrost Vent . . . . .	4
19	LAY16350-0010	Control Cable . . . . .	1
21	LA145710-5341	Chrome Ball Vent (thru 2004) . . . . .	5
	LAY45710-0010	Black Ball Vent (2005 and on) . . . . .	5
30	116600-5962	Supplemental Defroster . . . . .	1
32	LA246460-9650	Wire Sub Harness (Rotary Dial/Supp. Def.) . . . . .	1
33	056700-7330	Relay . . . . .	3
34	LA145710-6220	Defrost Grill (bottom, thru 2004) . . . . .	4
35	LA145710-6230	Defrost Grill (top, thru 2004) . . . . .	4

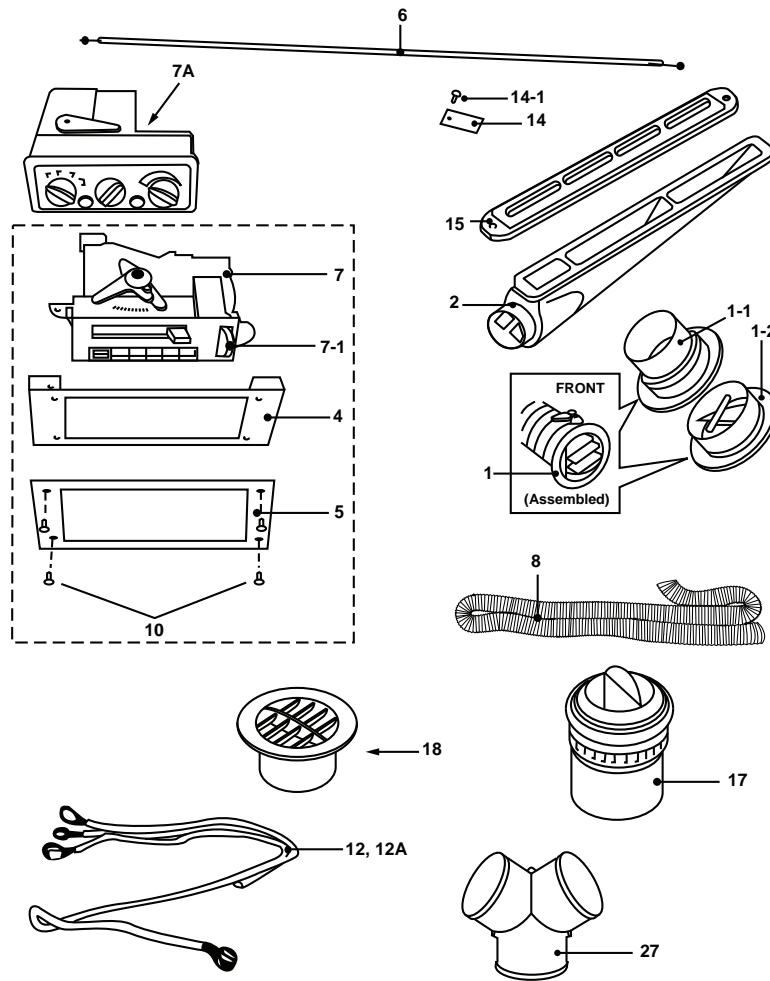
# Southwind (1994 and on)



ITEM NO.	PART NO.	DESCRIPTION	QTY/UNIT
1	LA145710-4960	Assy, Complete Grille . . . . .	1
1-1	LA145710-5110	Louver Assy, Base . . . . .	1
1-2	LA145710-5120	Grille, Front Panel . . . . .	1
2	LA145810-1960	Defrost Nozzle . . . . .	2
4	LA146480-1561	Control Panel Bracket . . . . .	1
5	LA146373-6730	Bezel, Control Panel . . . . .	1
6	LA016360-0011	Cable, Control (thru mid 1998) . . . . .	1
	LA017780-0130	Cable, Control (mid 1998 and on) . . . . .	1
	146430-3540S	Control Panel w/Clamp & Screw . . . . .	1
7-1	017770-1420	Control Panel Knob . . . . .	2
7A	LA146600-7920S	Rotary Control Panel (2002 and on) . . . . .	1
8	LA145810-1940S	Duct Hose (25 ft.) . . . . .	1
10	LA92920-04138	Screw . . . . .	4
12	LA246440-8230	Wire Sub Harness . . . . .	1
12A	LA246460-9380	Wire Sub Harness (2002 and on) . . . . .	1
14	116563-0730	Control Panel Cable Clamp . . . . .	1
14-1	90930-04101	Control Cable Clamp Screw . . . . .	1
15	LA145710-4971	* Defrost Deflector (thru mid 1998) . . . . .	2
17	LA145710-5101	Ball Vent . . . . .	4
18	LA145710-6330	Defrost Vent . . . . .	4
27	LA145710-5380	Y-Fitting 2-1/2" . . . . .	2

\* Use only panhead screws (Fleetwood P/N M59-5802 or equivalent) supplied by Fleetwood.

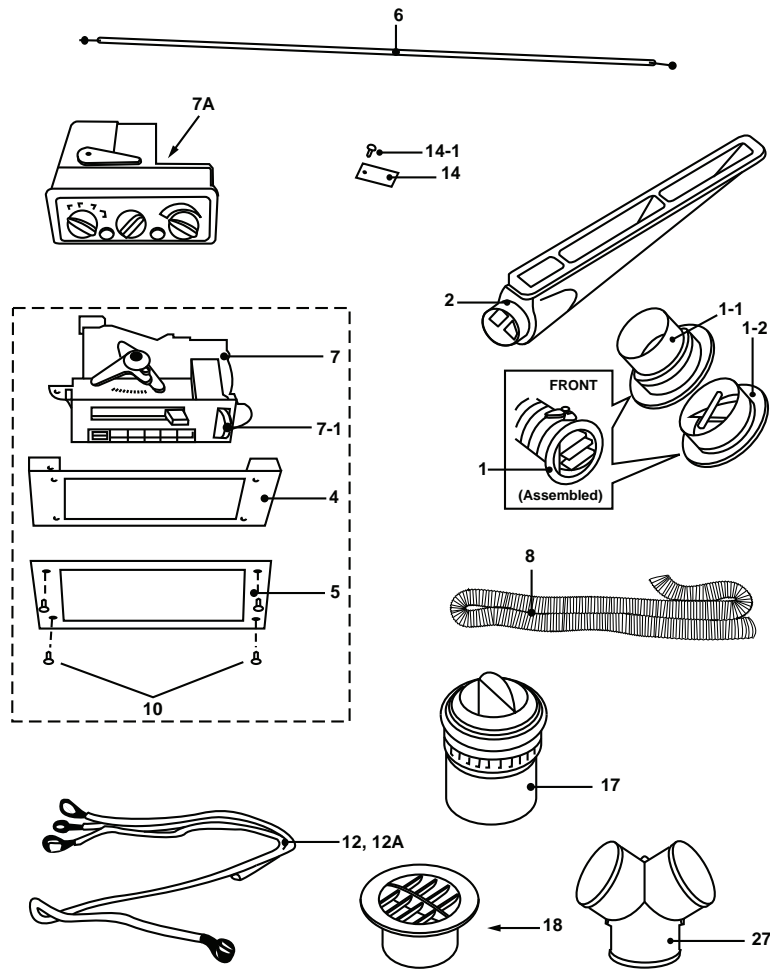
# Storm (1994 and on)



ITEM NO.	PART NO.	DESCRIPTION	QTY/UNIT
1	LA145710-4960	Assy, Complete Grille . . . . .	1
1-1	LA145710-5110	Louver Assy, Base . . . . .	1
1-2	LA145710-5120	Grille, Front Panel . . . . .	1
2	LA145810-1960	Defrost Nozzle . . . . .	2
4	LA146480-1561	Control Panel Bracket . . . . .	1
5	LA146373-6730	Bezel, Control Panel . . . . .	1
6	LA016360-0011	Cable, Control (thru 1995) . . . . .	1
	LA017780-0130	Cable, Control (1996 and on) . . . . .	1
	146430-3540S	Control Panel w/Clamp & Screw . . . . .	1
7-1	017770-1420	Control Panel Knob . . . . .	2
7A	LA146600-7920S	Rotary Control Panel (2005 and on) . . . . .	1
8	LA145810-1940S	Duct Hose (25 ft.) . . . . .	1
10	LA92920-04138	Screw . . . . .	4
12	LA246440-8230	Wire Sub Harness . . . . .	1
12A	LA246460-9380	Wire Sub Harness (2005 and on) . . . . .	1
14	116563-0730	Control Panel Cable Clamp . . . . .	1
14-1	90930-04101	Cable Clamp Screw . . . . .	1
15	LA145710-4971	* Defrost Deflector (thru mid 1998) . . . . .	2
17	LA145710-5101	Ball Vent . . . . .	4
18	LA145710-6330	Defrost Vent . . . . .	4
27	LA145710-5380	Y-Fitting 2-1/2" . . . . .	2

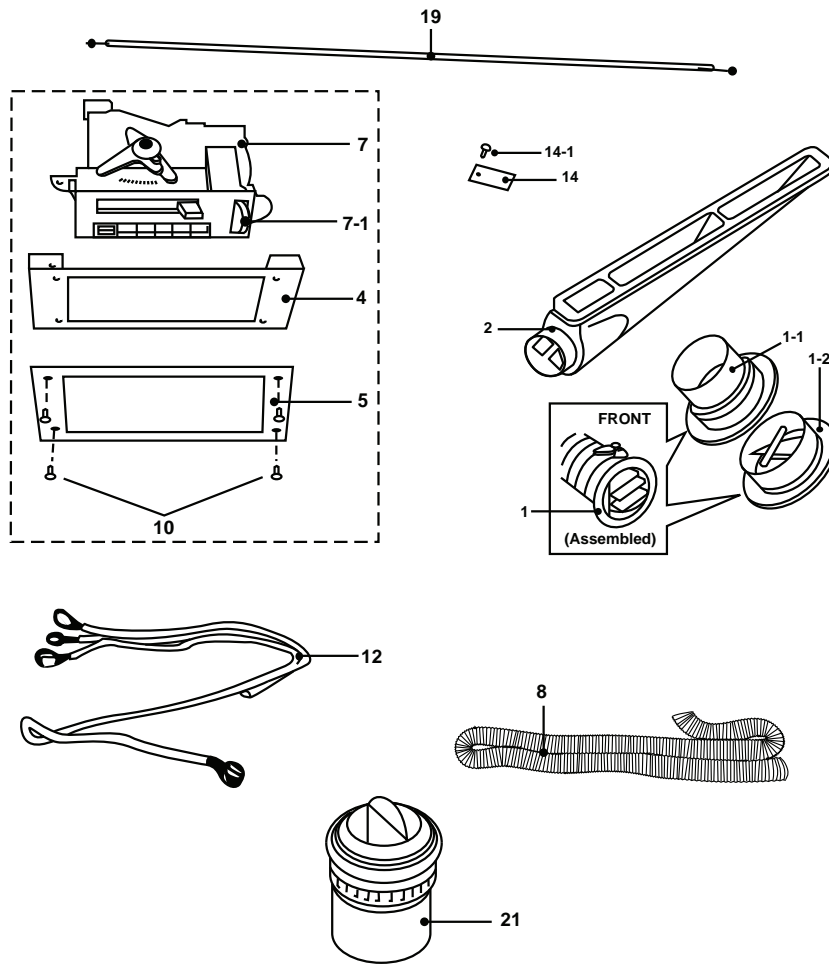
\* Use only panhead screws (Fleetwood P/N M59-5802 or equivalent) supplied by Fleetwood.

# Terra (2001 and on)



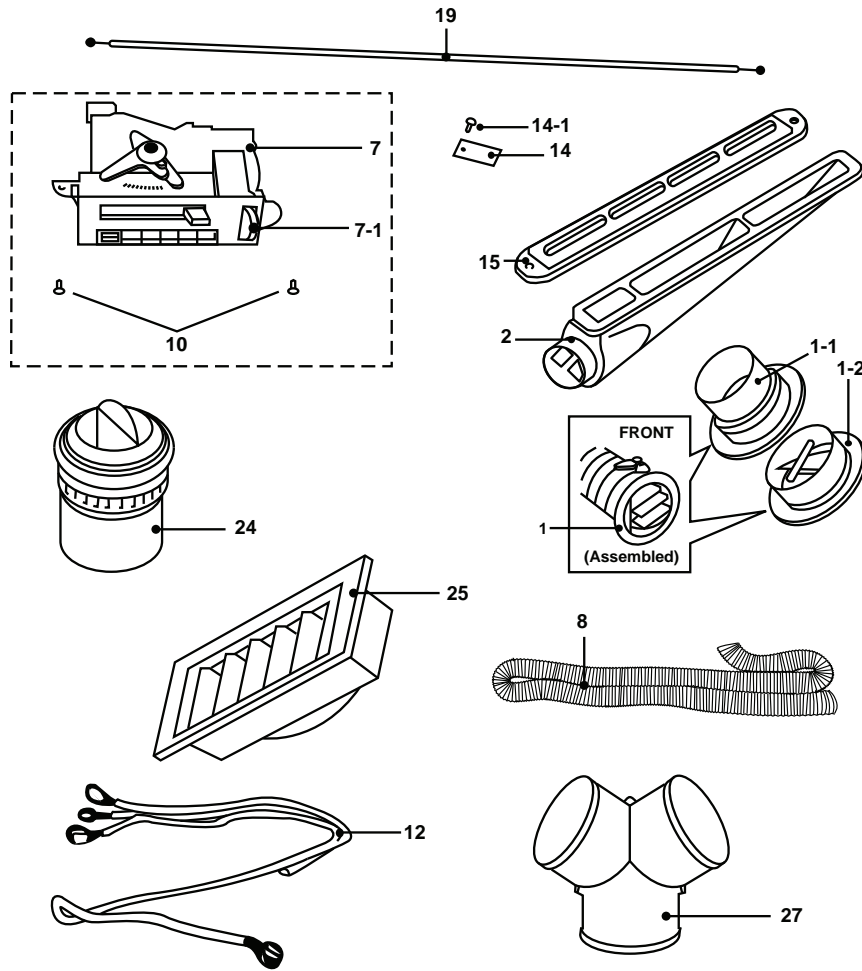
ITEM NO.	PART NO.	DESCRIPTION	QTY/UNIT
1	LA145710-4960	Assy, Complete Grille	1
1-1	LA145710-5110	Louver Assy, Base	1
1-2	LA145710-5120	Grille, Front Panel	1
2	LA145810-1960	Defrost Nozzle	2
4	LA146480-1561	Control Panel Bracket	1
5	LA146373-6730	Bezel, Control Panel	1
6	LA017780-0010	Cable, Control	1
7	146430-3540S	Control Panel w/Clamp & Screw	1
7-1	017770-1420	Control Panel Knob	2
7A	LA146600-7920S	Rotary Control Panel (2006 and on)	1
8	LA145810-1940S	Duct Hose (25 ft.)	1
10	LA92920-04138	Screw	4
12	LA246460-935A	Wire Sub Harness (thru 2005)	1
12A	LA246460-9380	Wire Sub Harness (2006 and on)	1
14	116563-0730	Control Panel Cable Clamp	1
14-1	90930-04101	Control Cable Clamp Screw	1
17	LA145710-5101	Ball Vent	5
18	LA145710-6330	Defrost Vent	4
27	LA145710-5380	Y-Fitting 2-1/2"	2

# Vision (1996 - 2000)



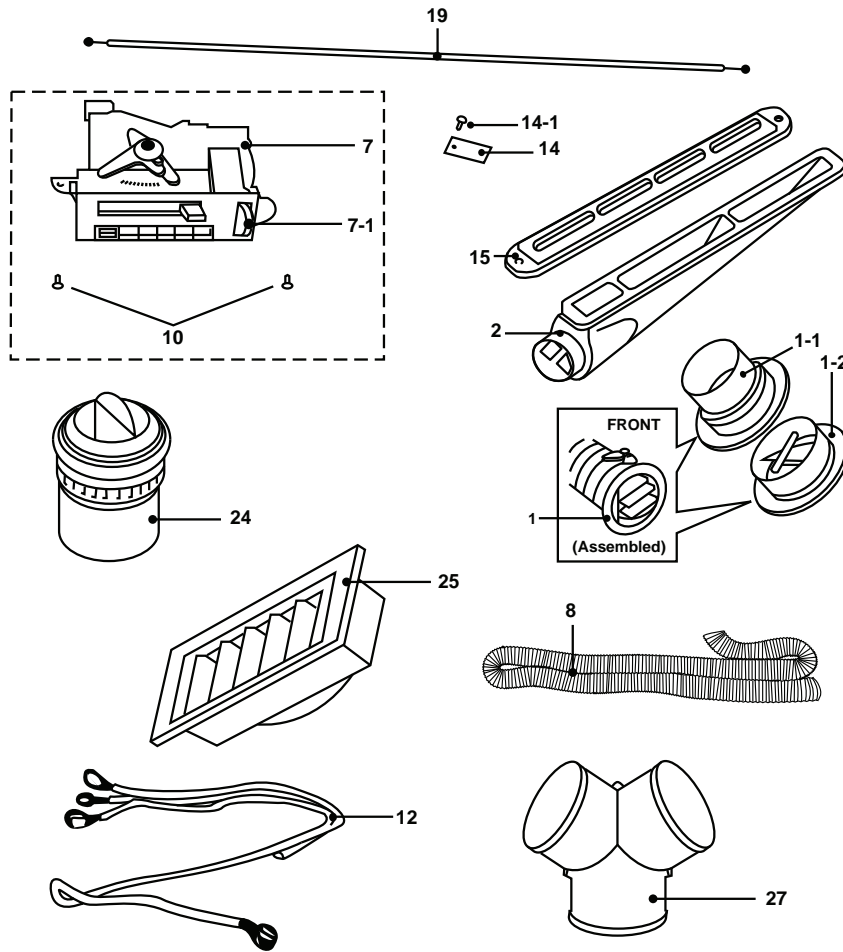
ITEM NO.	PART NO.	DESCRIPTION	QTY/UNIT
1	LA145710-4960	Assy, Complete Grille	1
1-1	LA145710-5110	Louver Assy, Base	1
1-2	LA145710-5120	Grille, Front Panel	1
2	LA145810-1960	Defrost Nozzle	2
4	LA146480-1561	Control Panel Bracket	1
5	LA146373-6730	Bezel, Control Panel	1
7	146430-3540S	Control Panel w/Clamp & Screw	1
7-1	017770-1420	Control Panel Knob	2
8	LA145810-1940S	Duct Hose (25 ft.)	1
10	LA92920-04138	Screw	4
12	LA246440-8230	Wire Sub Harness	1
14	116563-0730	Control Panel Cable Clamp	1
14-1	90930-04101	Cable Clamp Screw	1
19	LA017780-0130	Cable, Control	1
21	LA145710-5341	Chrome Ball Vent	4

# Allegro (1999 and on)



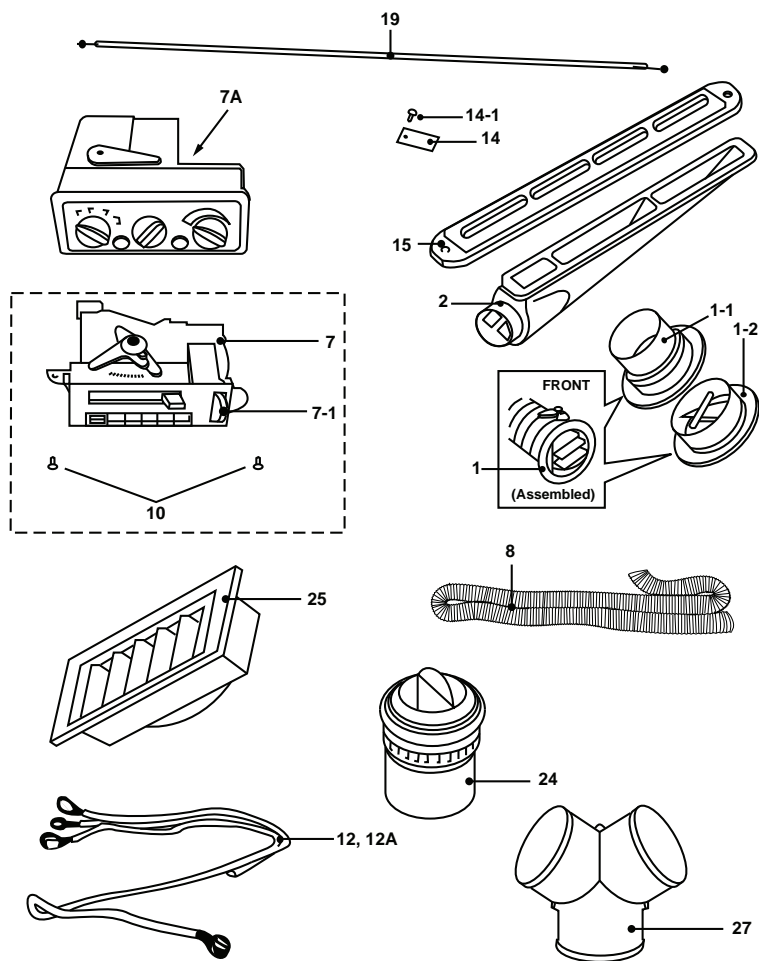
ITEM NO.	PART NO.	DESCRIPTION	QTY/UNIT
1	LA145710-4960	Assy, Complete Grille	1
1-1	LA145710-5110	Louver Assy, Base	1
1-2	LA145710-5120	Grille, Front Panel	1
2	LA145810-1960	Defrost Nozzle	2
7	146430-3540S	Control Panel w/Clamp & Screw	1
7-1	017770-1420	Control Panel Knob	1
8	LA145810-1940S	Duct Hose 2-1/2" dia. (25 ft.)	1
10	LA92920-04138	Screw	2
12	LA246440-8230	Wire Sub Harness	1
14	116563-0730	Control Panel Cable Clamp	1
14-1	90930-04101	Cable Clamp Screw	1
15	LA145710-4971	Defrost Deflector	2
19	LA017780-0130	Cable, Control	1
24	LA145710-5101	Vent, Grille, Round	3
25	LA145710-5151	Vent, Rectangular	2
27	LA145710-5380	Y-Fitting	2

# Allegro Bay (1999 and on)



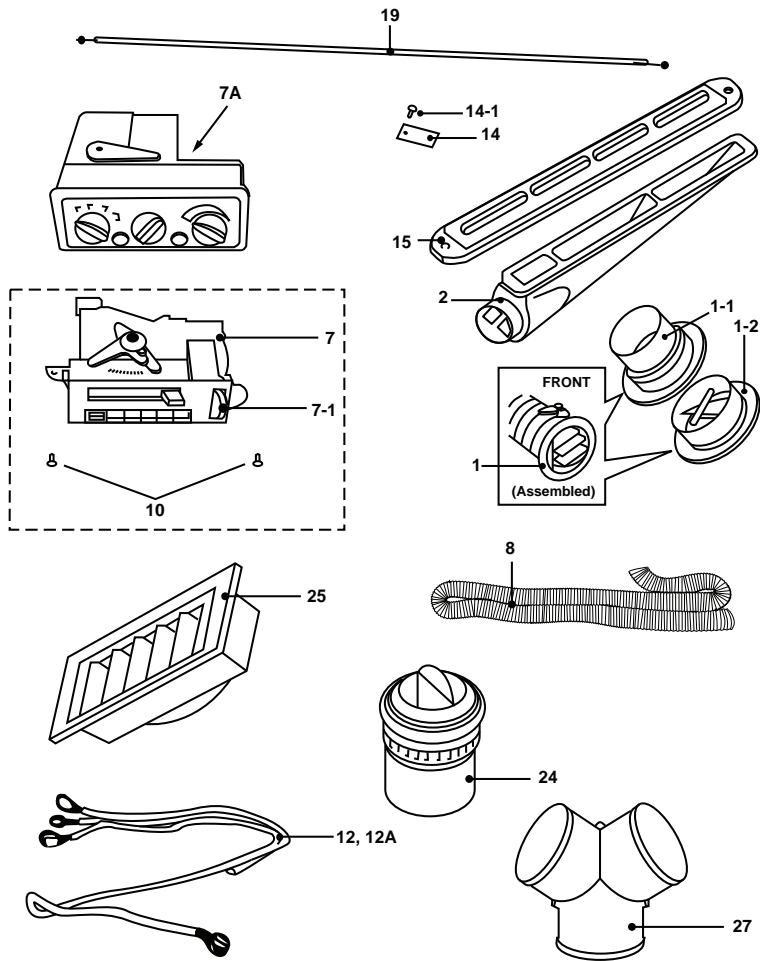
ITEM NO.	PART NO.	DESCRIPTION	QTY/UNIT
1	LA145710-4960	Assy, Complete Grille	1
1-1	LA145710-5110	Louver Assy, Base	1
1-2	LA145710-5120	Grille, Front Panel	1
2	LA145810-1960	Defrost Nozzle	2
7	146430-3540S	Control Panel w/Clamp & Screw	1
7-1	017770-1420	Control Panel Knob	1
8	LA145810-1940S	Duct Hose 2-1/2" dia. (25 ft.)	1
10	LA92920-04138	Screw	2
12	LA246440-8230	Wire Sub Harness	1
14	116563-0730	Control Panel Cable Clamp	1
14-1	90930-04101	Cable Clamp Screw	1
15	LA145710-4971	Defrost Deflector	2
19	LA017780-0130	Cable, Control	1
24	LA145710-5101	Vent, Grille, Round	5
25	LA145710-5151	Vent, Rectangular	2
27	LA145710-5380	Y-Fitting	2

# Allegro Bus (1999 and on)



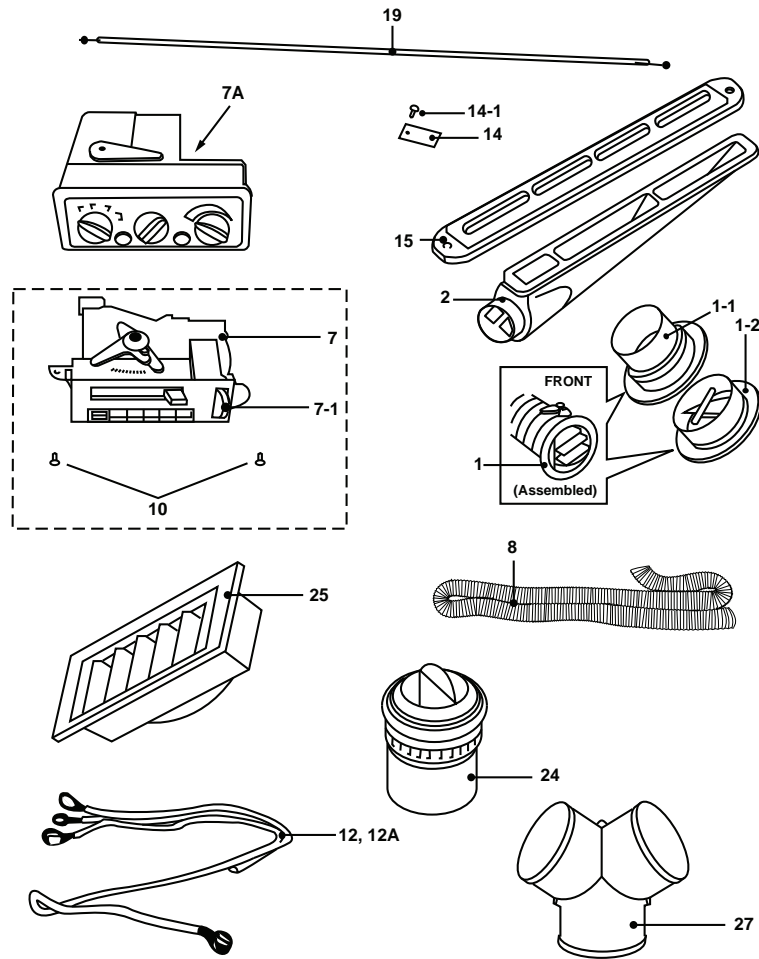
ITEM NO.	PART NO.	DESCRIPTION	QTY/UNIT
1	LA145710-4960	Assy, Complete Grille	3
1-1	LA145710-5110	Louver Assy, Base	1
1-2	LA145710-5120	Grille, Front Panel	1
2	LA145810-1960	Defrost Nozzle	2
7	146430-3540S	Control Panel w/Clamp & Screw	1
7-1	017770-1420	Control Panel Knob	1
7A	LA146600-7920S	Rotary Control Panel (2002 and on)	1
8	LA145810-1940S	Duct Hose 2-1/2" dia. (25 ft.)	1
10	LA92920-04138	Screw	2
12	LA246440-8230	Wire Sub Harness	1
12A	LA246460-9380	Wire Sub Harness (2002 and on)	1
14	116563-0730	Control Panel Cable Clamp	1
14-1	90930-04101	Cable Clamp Screw	1
15	LA145710-4971	Defrost Deflector	2
19	LA017780-0130	Cable, Control	1
24	LA145710-5101	Vent, Grille, Round	3
25	LA145710-5151	Vent, Rectangular	2
27	LA145710-5380	Y-Fitting	2

# Phaeton (1999 and on)



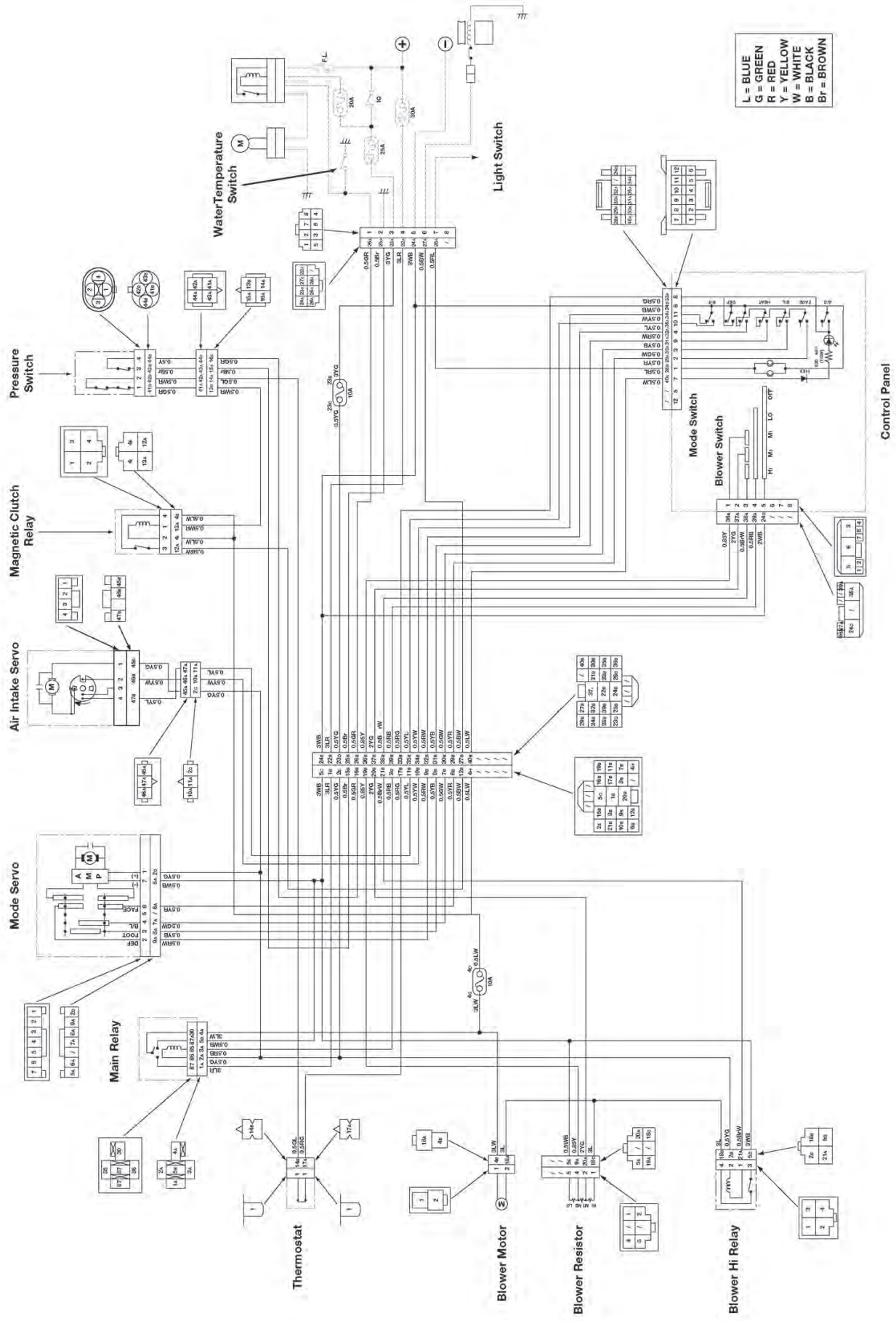
ITEM NO.	PART NO.	DESCRIPTION	QTY/UNIT
1	LA145710-4960	Assy, Complete Grille	3
1-1	LA145710-5110	Louver Assy, Base	1
1-2	LA145710-5120	Grille, Front Panel	1
2	LA145810-1960	Defrost Nozzle	2
7	146430-3540S	Control Panel w/Clamp & Screw	1
7-1	017770-1420	Control Panel Knob	1
7A	LA146600-7920S	Rotary Control Panel (2002 and on)	1
8	LA145810-1940S	Duct Hose 2-1/2" dia. (25 ft.)	1
10	LA92920-04138	Screw	2
12	LA246440-8230	Wire Sub Harness	1
12A	LA246460-9380	Wire Sub Harness (2002 and on)	1
14	116563-0730	Control Panel Cable Clamp	1
14-1	90930-04101	Cable Clamp Screw	1
15	LA145710-4971	Defrost Deflector	2
19	LA017780-0130	Cable, Control (longer)	1
	LAY16350-0010	Cable, Control (shorter)	1
24	LA145710-5101	Vent, Grille, Round	3
25	LA145710-5151	Vent, Rectangular	2
27	LA145710-5380	Y-Fitting	2

# Zephyr (2004 and on)



ITEM NO.	PART NO.	DESCRIPTION	QTY/UNIT
1	LA145710-4960	Assy, Complete Grille	3
1-1	LA145710-5110	Louver Assy, Base	1
1-2	LA145710-5120	Grille, Front Panel	1
2	LA145810-1960	Defrost Nozzle	2
7	146430-3540S	Control Panel w/Clamp & Screw	1
7-1	017770-1420	Control Panel Knob	1
7A	LA146600-7920S	Rotary Control Panel (2002 and on)	1
8	LA145810-1940S	Duct Hose 2-1/2" dia. (25 ft.)	1
10	LA92920-04138	Screw	2
12	LA246440-8230	Wire Sub Harness	1
12A	LA246460-9380	Wire Sub Harness (2002 and on)	1
14	116563-0730	Control Panel Cable Clamp	1
14-1	90930-04101	Cable Clamp Screw	1
15	LA145710-4971	Defrost Deflector	2
19	LA017780-0130	Cable, Control	1
24	LA145710-5101	Vent, Grille, Round	3
25	LA145710-5151	Vent, Rectangular	2
27	LA145710-5380	Y-Fitting	2

## Wiring Diagram for HVAC Control Panel (PUSH BUTTON TYPE)



Wiring Diagram for HVAC Control Panel (ROTARY DIAL Type)

